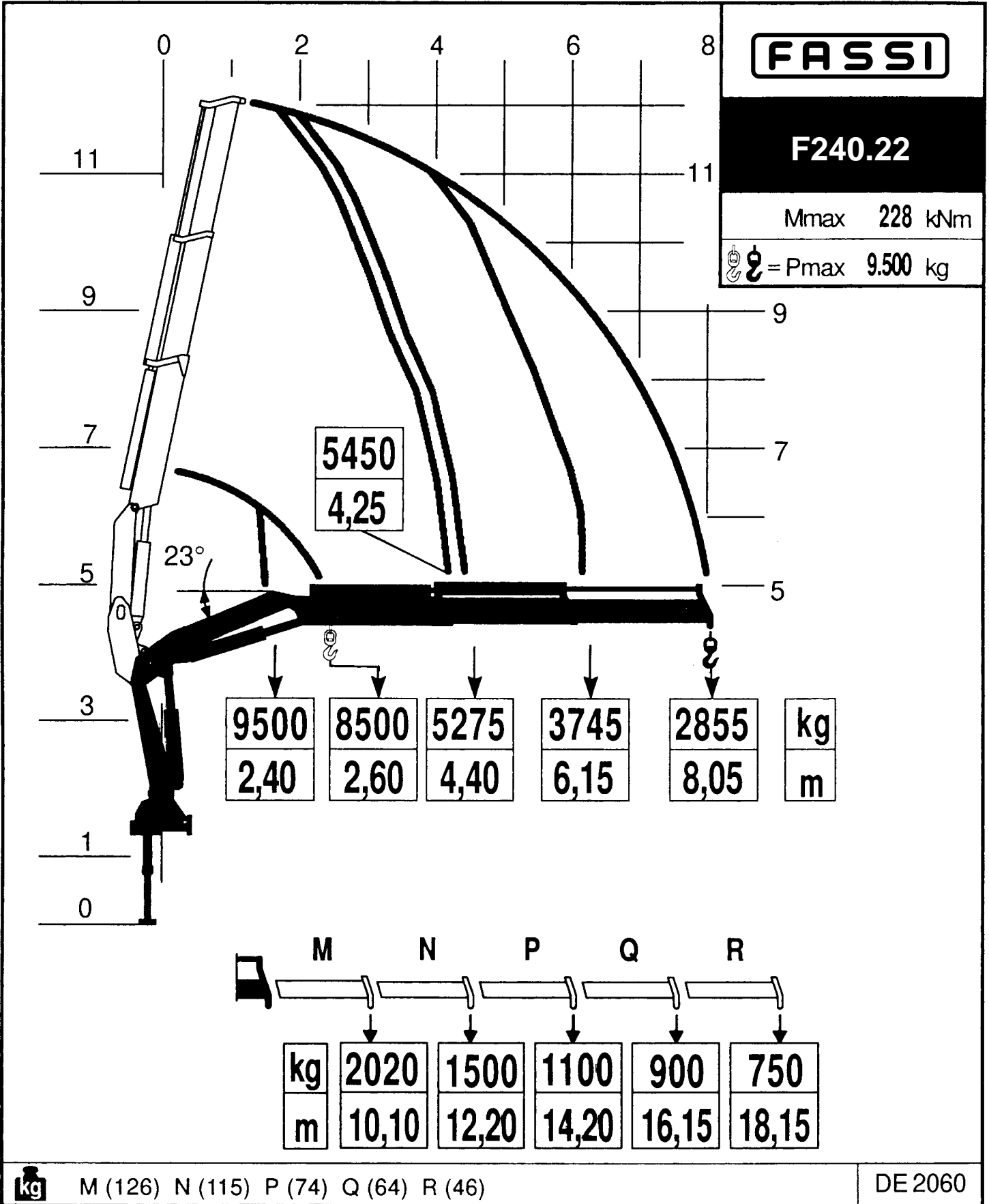


Via dei Carmelitani, 2
24021 Albino BG
tel. ++39 35 776400
fax ++39 35 755020
www.fassigroup.com
fassi@fassigroup.com

LOAD DIAGRAM WITH LIFTING MOMENT LIMITING DEVICE



FASSI

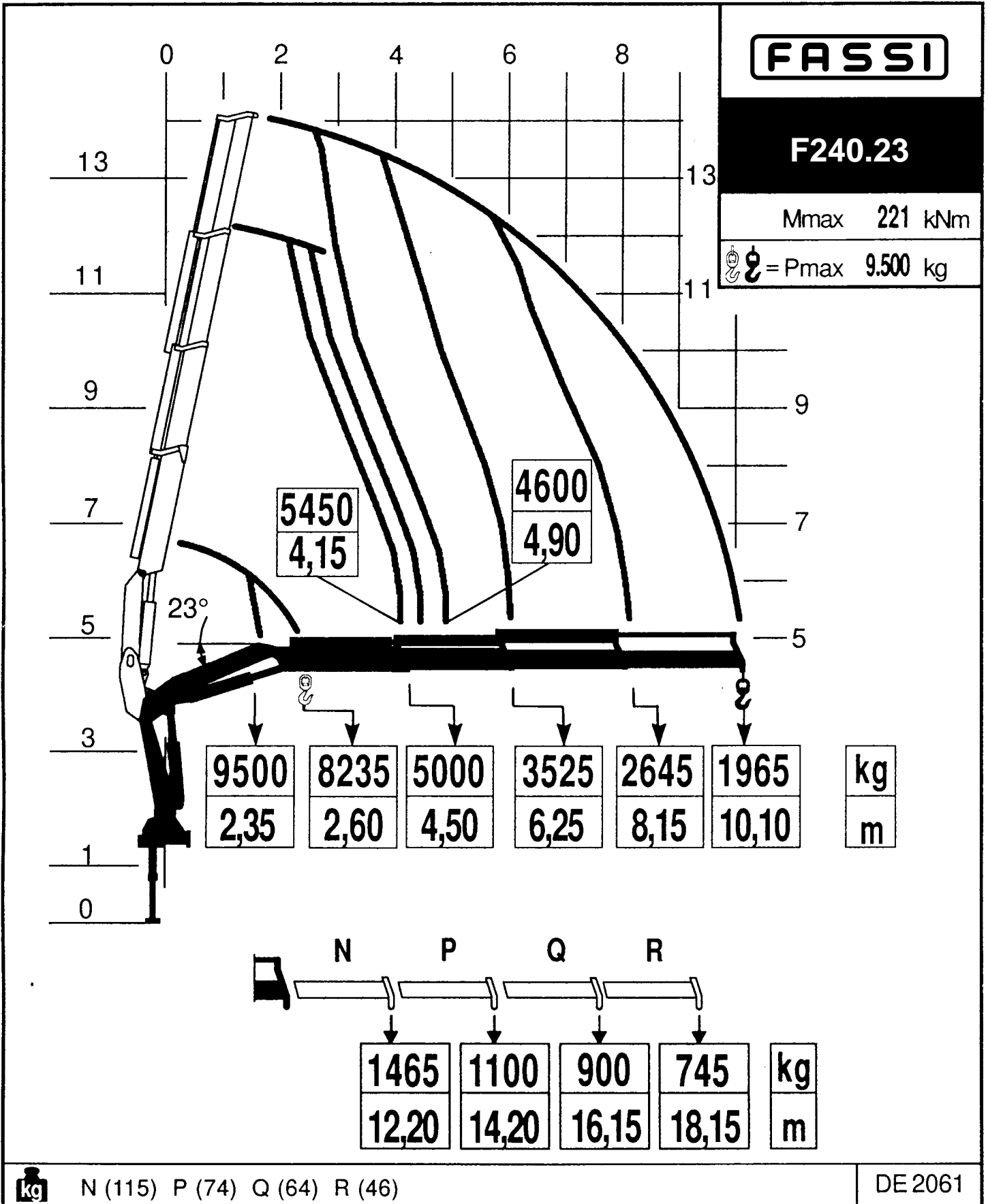
F240.22

Mmax 228 kNm

= Pmax 9.500 kg

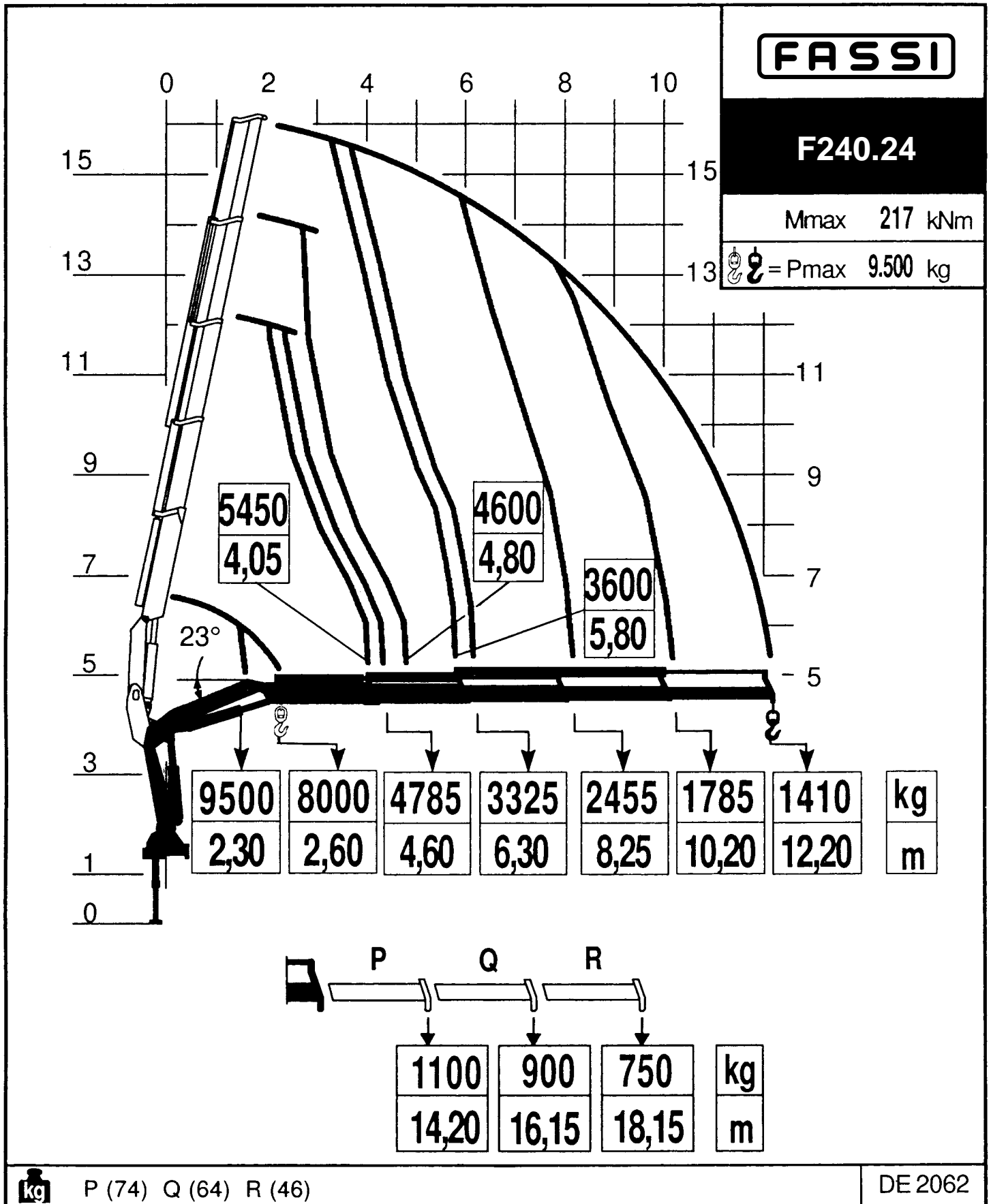
Via dei Carmelitani, 2
24021 Albino BG
tel. ++39 35 776400
fax ++39 35 755020
www.fassigroup.com
fassi@fassigroup.com

LOAD DIAGRAM WITH LIFTING MOMENT LIMITING DEVICE



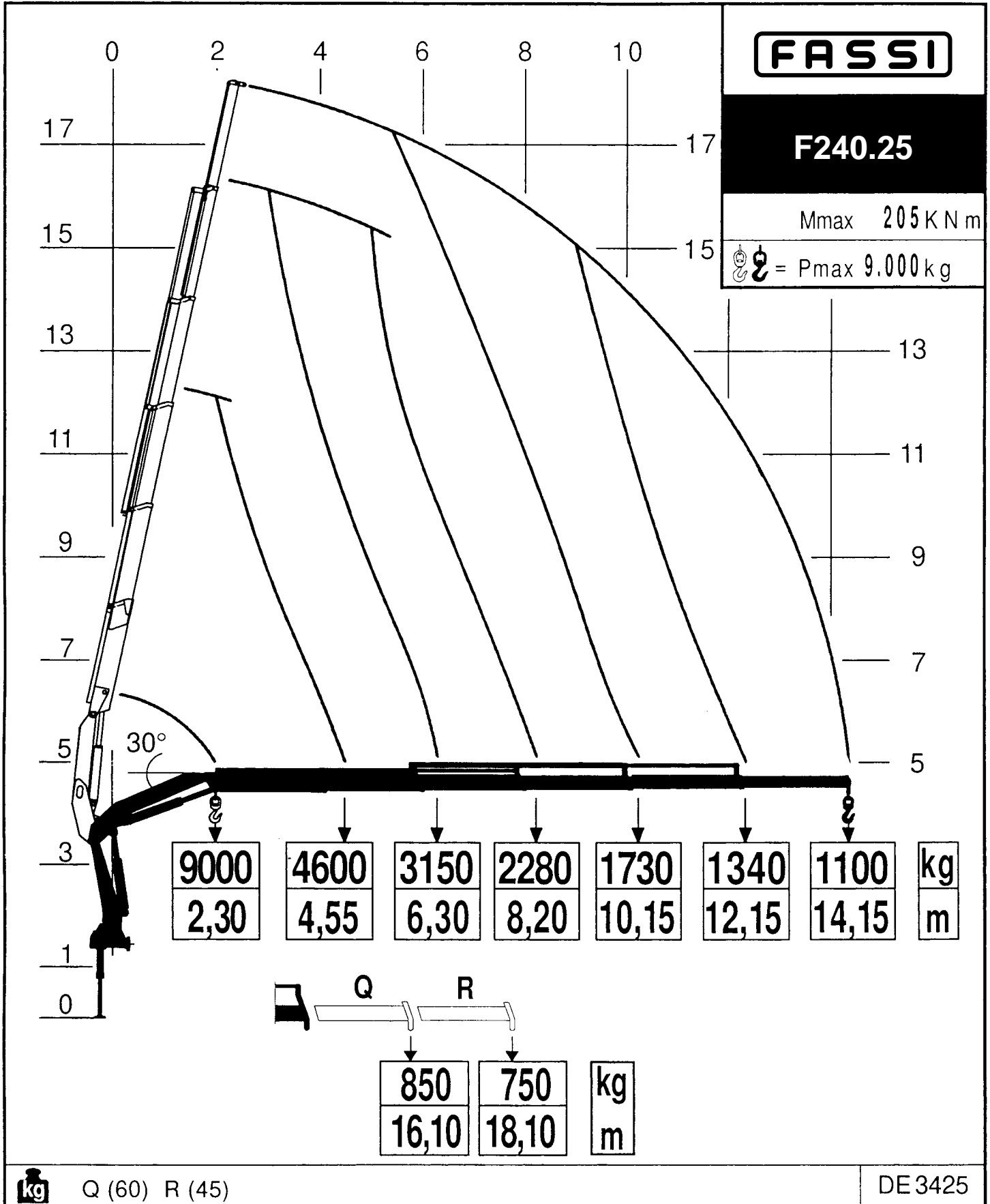
Via dei Carmelitani, 2
24021 Albino BG
tel. ++39 35 776400
fax ++39 35 755020
www.fassigroup.com
fassi@fassigroup.com

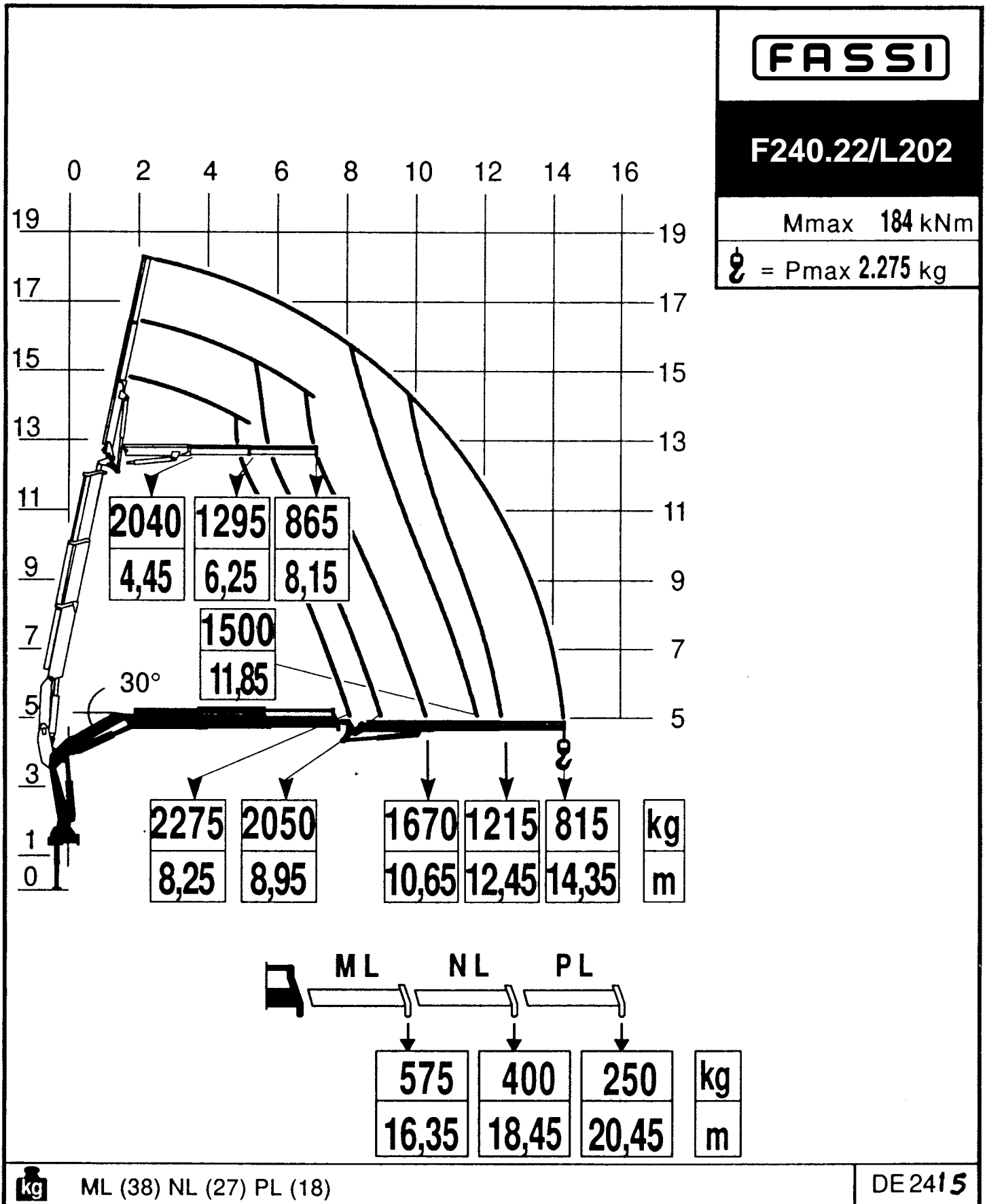
LOAD DIAGRAM WITH LIFTING MOMENT LIMITING DEVICE



Via dei Carmelitani, 2
24021 Albino BG
tel. ++39 35 776400
fax ++39 35 755020
www.fassigroup.com
fassi@fassigroup.com

LOAD DIAGRAM WITH LIFTING MOMENT LIMITING DEVICE





FASSI

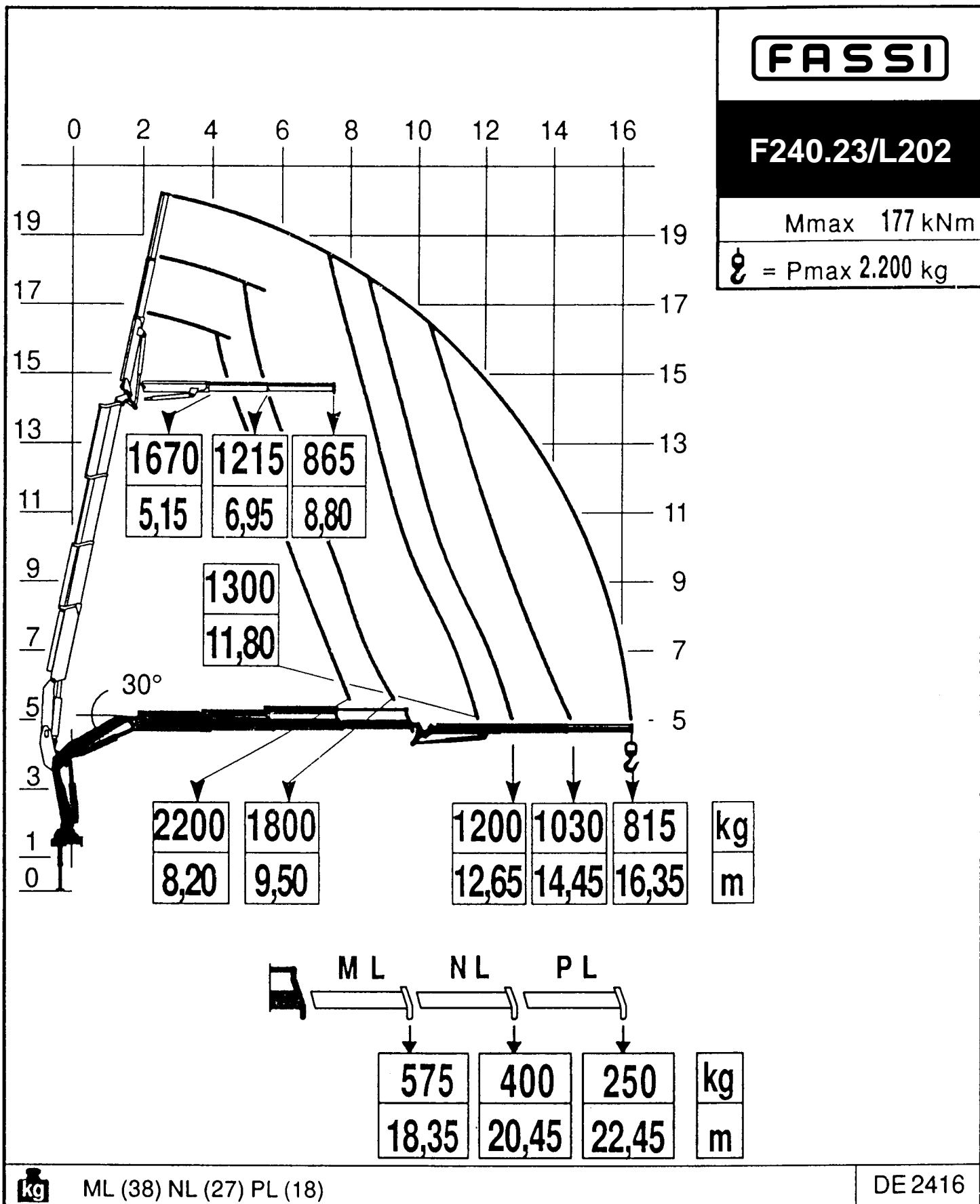
F240.22/L202

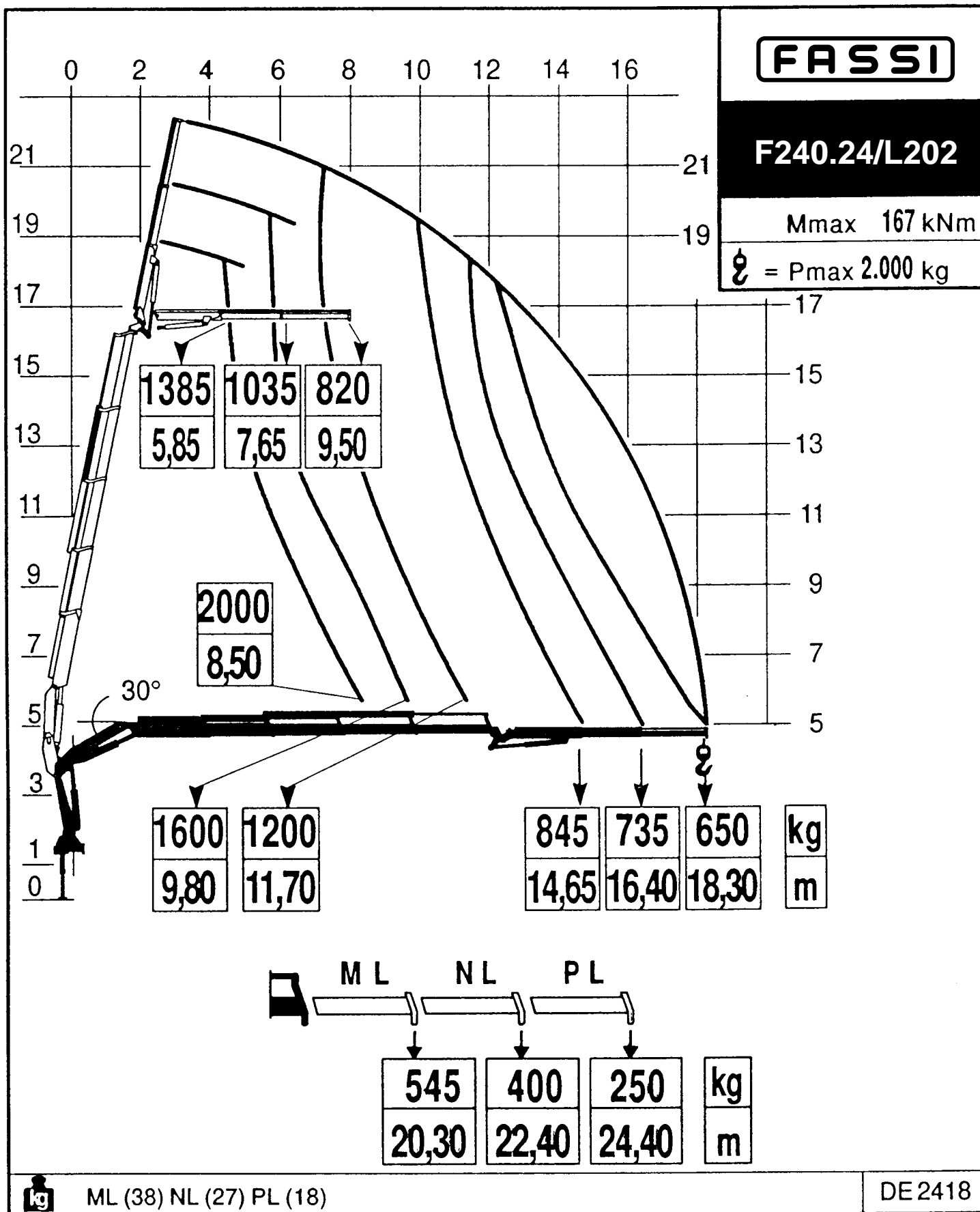
Mmax 184 kNm

\varnothing = Pmax 2.275 kg

Via dei Carmelitani, 2
24021 Albino BG
tel. ++39 35 776400
fax ++39 35 755020
www.fassigroup.com
fassi@fassigroup.com

LOAD DIAGRAM IDRAULIC EXTENSIONS WITH LIFTING MOMENT LIMITING DEVICE



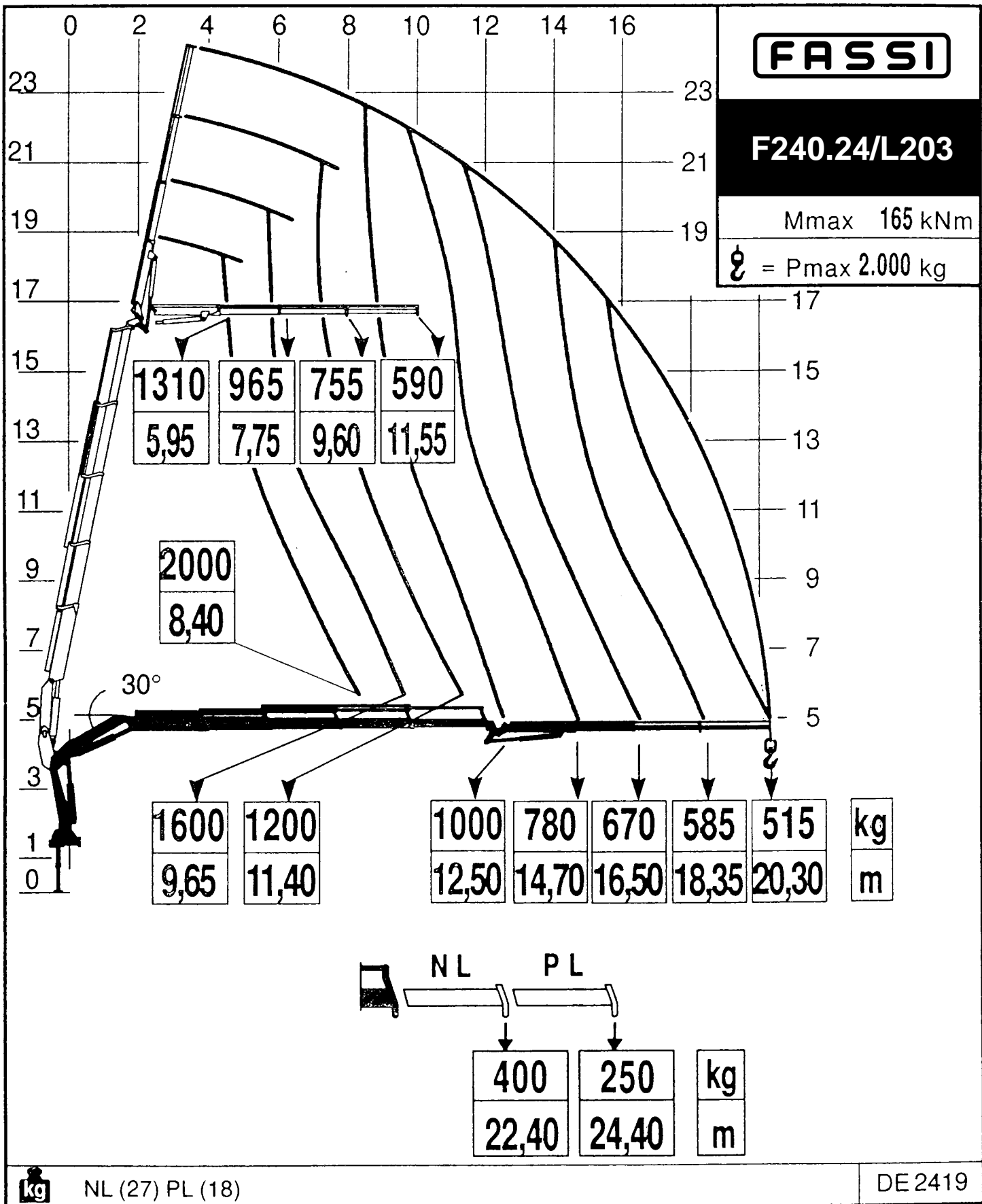


ML (38) NL (27) PL (18)

DE 2418

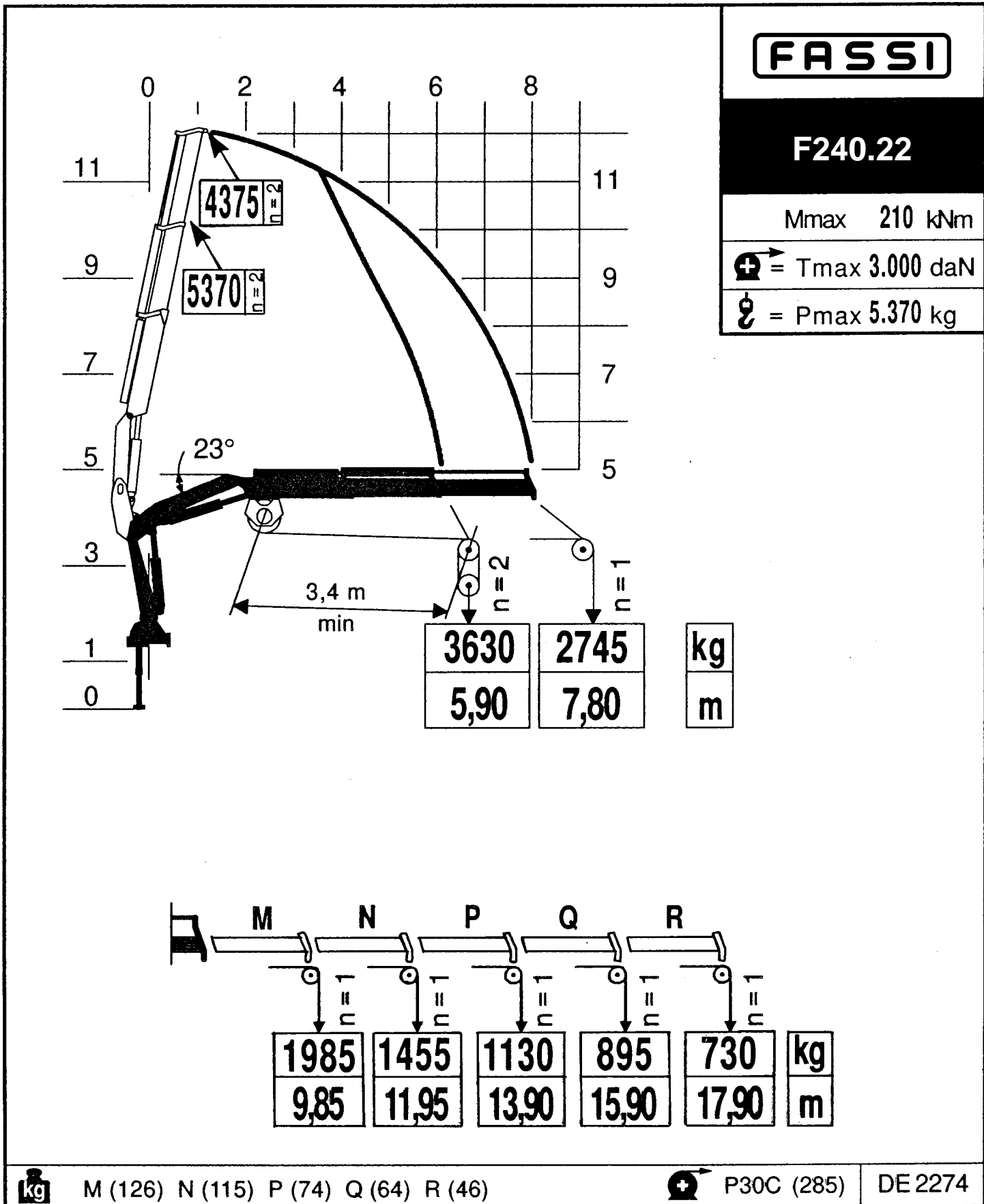
Via dei Carmelitani, 2
24021 Albino BG
tel. ++39 35 776400
fax ++39 35 755020
www.fassigroup.com
fassi@fassigroup.com

LOAD DIAGRAM IDRAULIC EXTENSIONS WITH LIFTING MOMENT LIMITING DEVICE



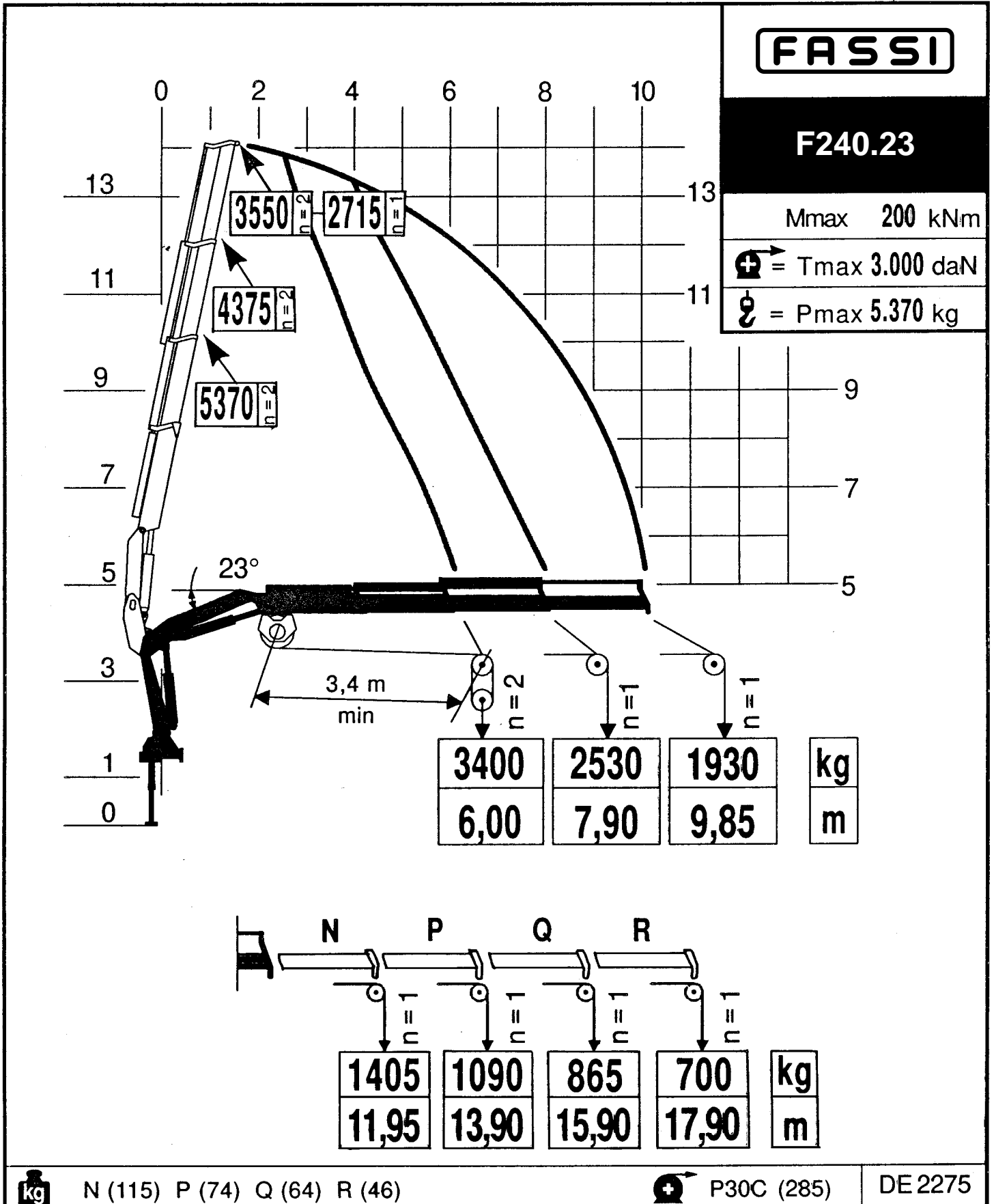
Via dei Carmelitani, 2
24021 Albino BG
tel. ++39 35 776400
fax ++39 35 755020
www.fassigroup.com
fassi@fassigroup.com

LOAD DIAGRAM WITH WINCH WITH LIFTING MOMENT LIMITING DEVICE



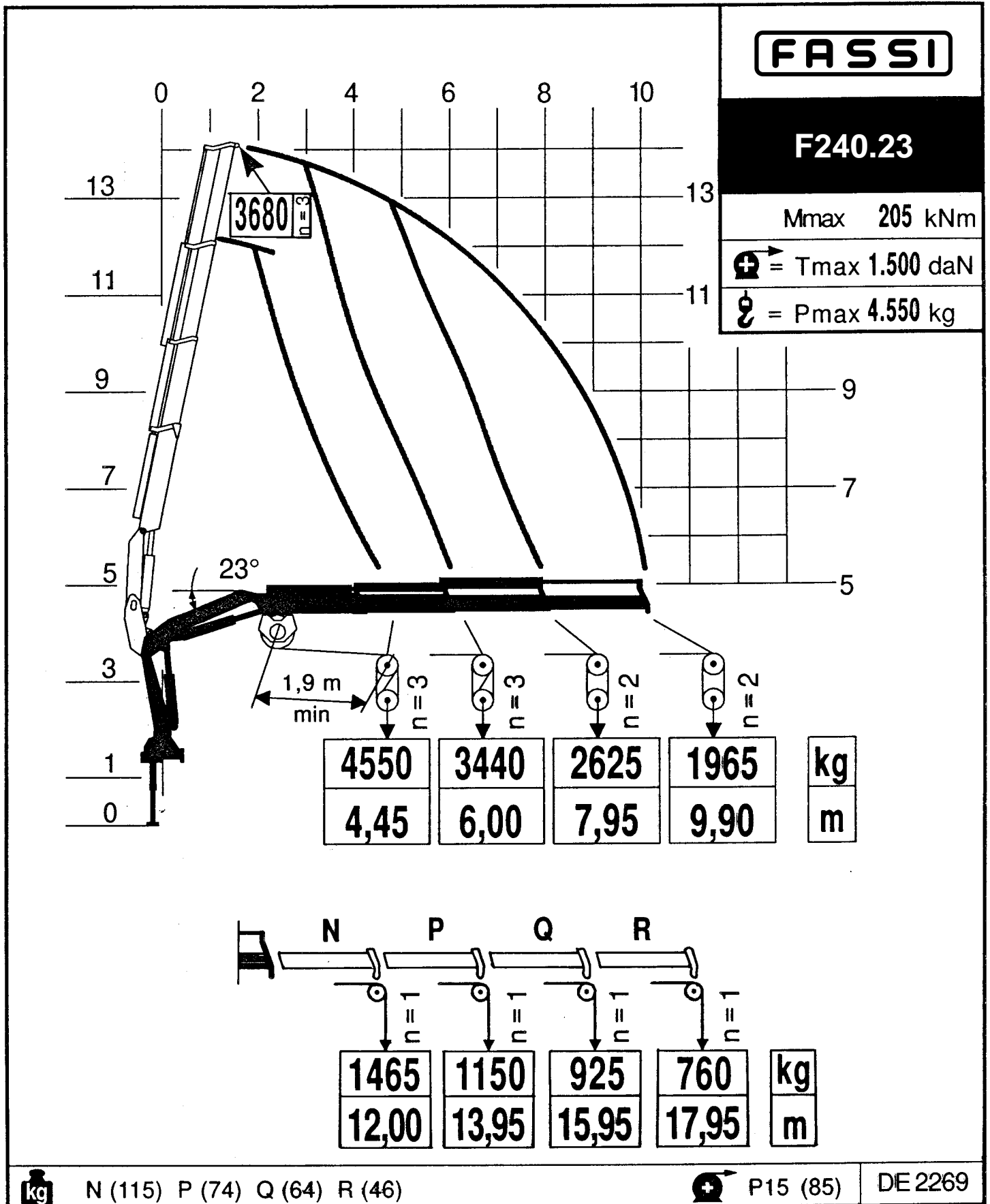
Via dei Carmelitani, 2
24021 Albino BG
tel. ++39 35 776400
fax ++39 35 755020
www.fassigroup.com
fassi@fassigroup.com

LOAD DIAGRAM WITH WINCH WITH LIFTING MOMENT LIMITING DEVICE



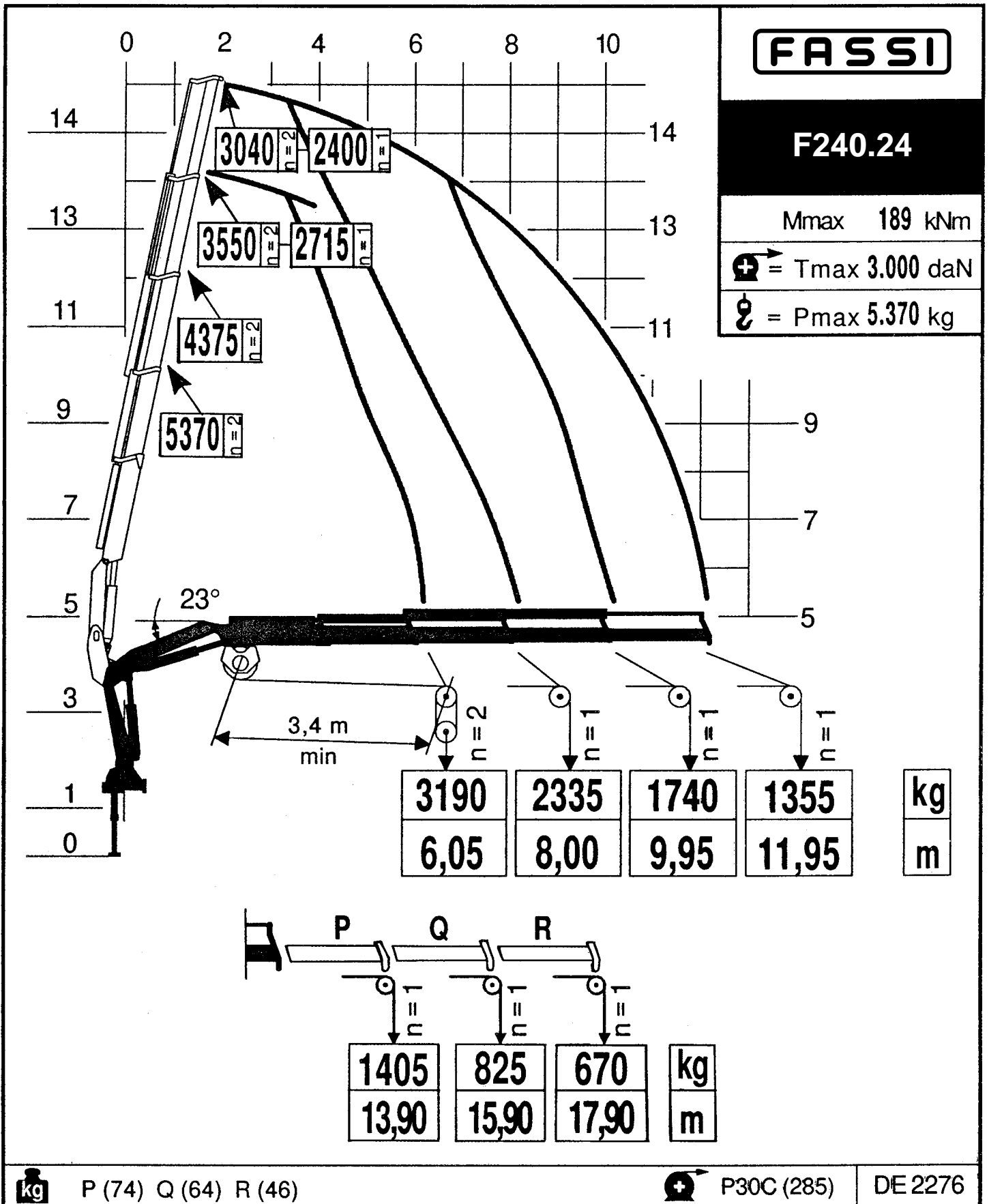
Via dei Carmelitani, 2
24021 Albino BG
tel. ++39 35 776400
fax ++39 35 755020
www.fassigroup.com
fassi@fassigroup.com

LOAD DIAGRAM WITH WINCH WITH LIFTING MOMENT LIMITING DEVICE



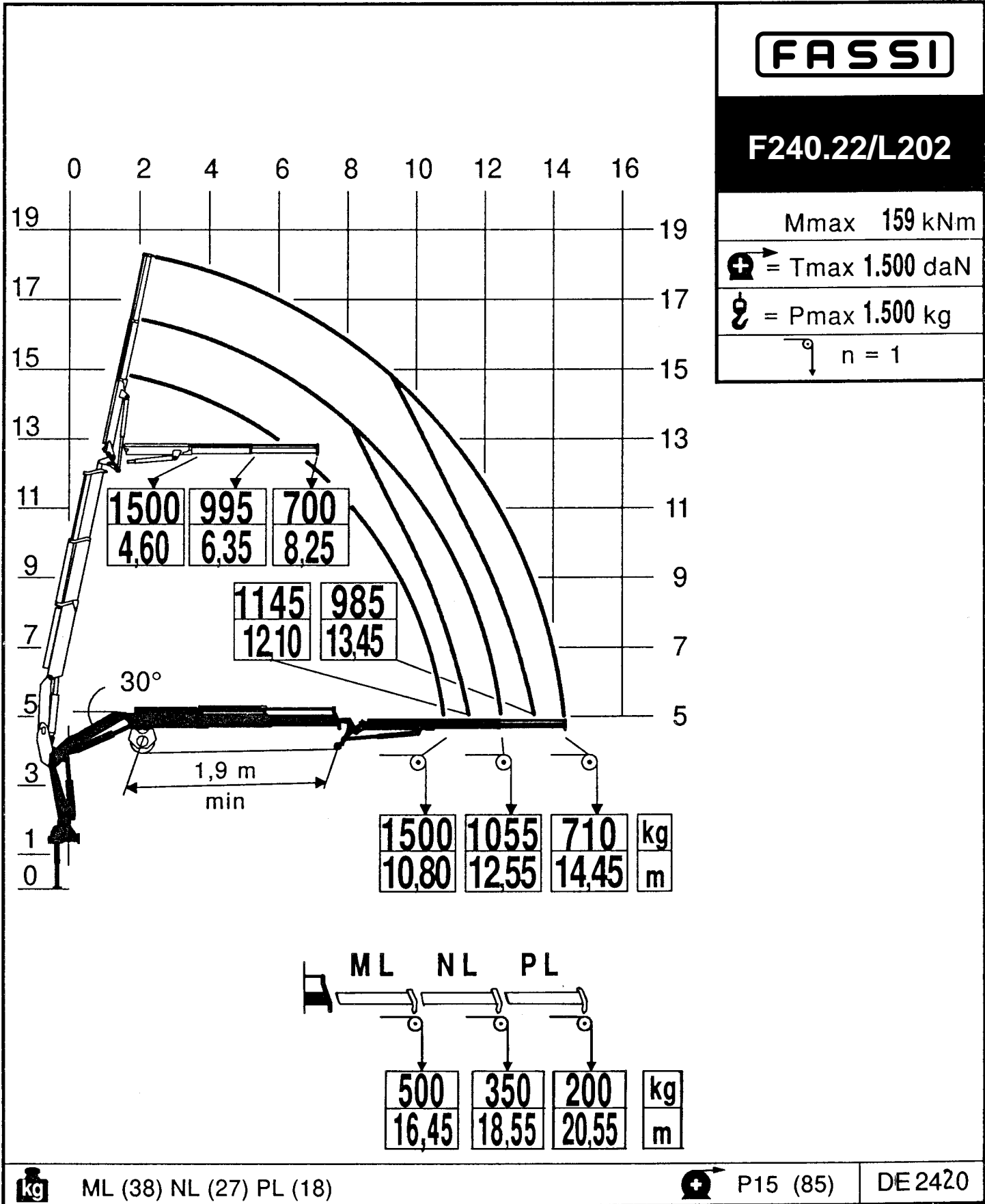
Via dei Carmelitani, 2
24021 Albino BG
tel. ++39 35 776400
fax ++39 35 755020
www.fassigroup.com
fassi@fassigroup.com

LOAD DIAGRAM WITH WINCH WITH LIFTING MOMENT LIMITING DEVICE



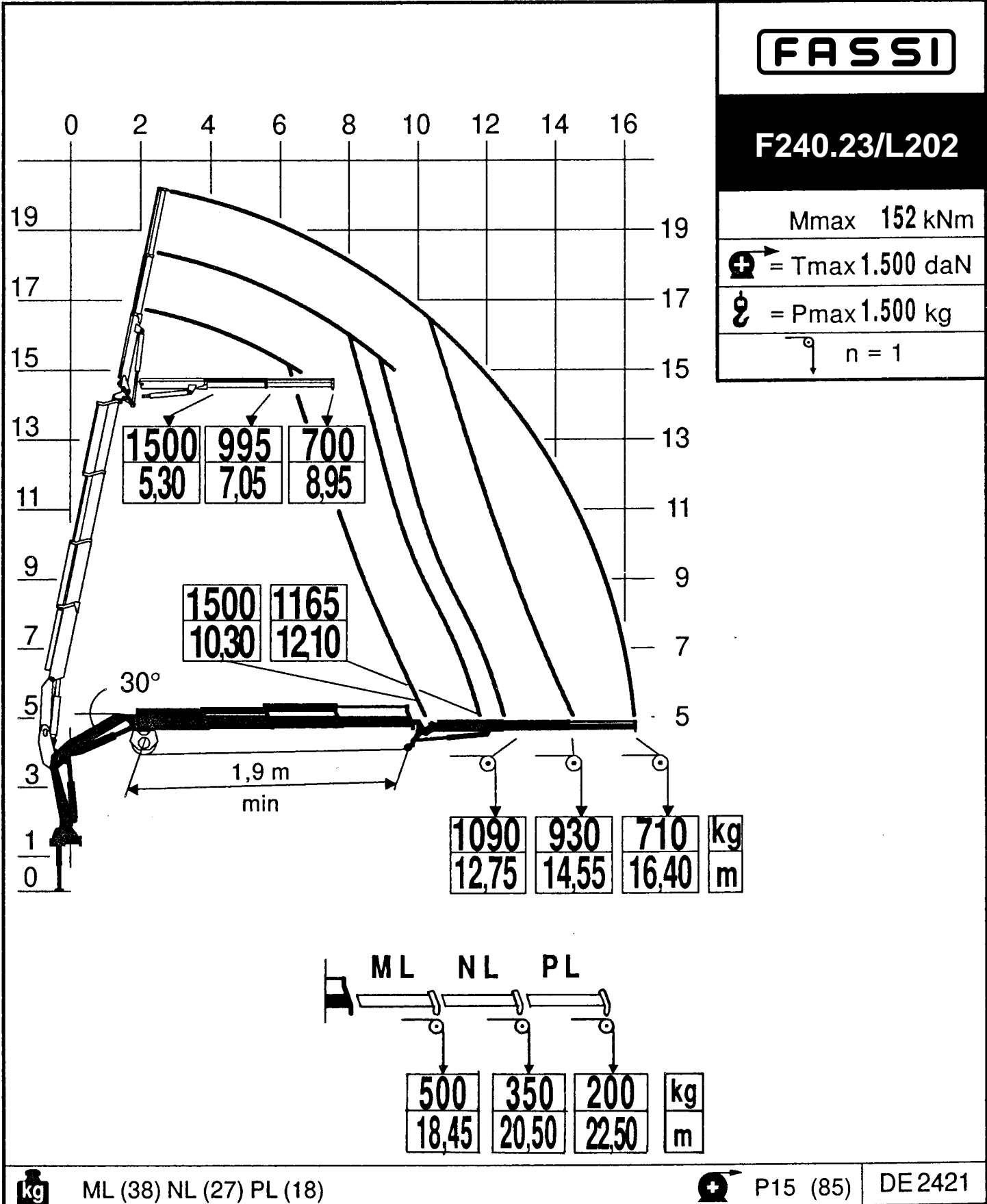
Via dei Carmelitani, 2
24021 Albino BG
tel. ++39 35 776400
fax ++39 35 755020
www.fassigroup.com
fassi@fassigroup.com

LOAD DIAGRAM IDRAULIC EXTENSIONS WITH WINCH AND
LIFTING MOMENT LIMITING DEVICE



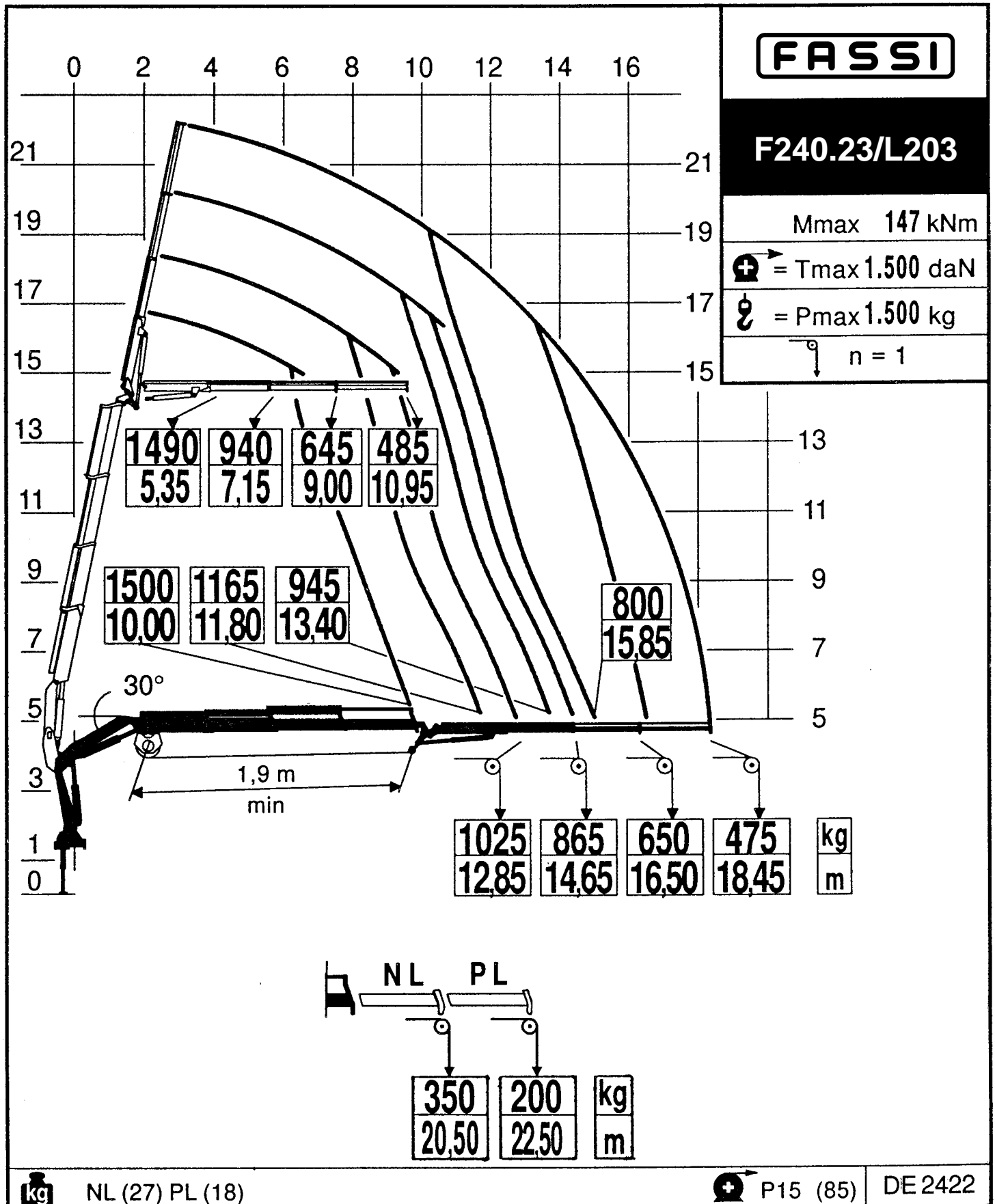
Via dei Carmelitani, 2
24021 Albino BG
tel. ++39 35 776400
fax ++39 35 755020
www.fassigroup.com
fassi@fassigroup.com

LOAD DIAGRAM IDRAULIC EXTENSIONS WITH WINCH AND
LIFTING MOMENT LIMITING DEVICE



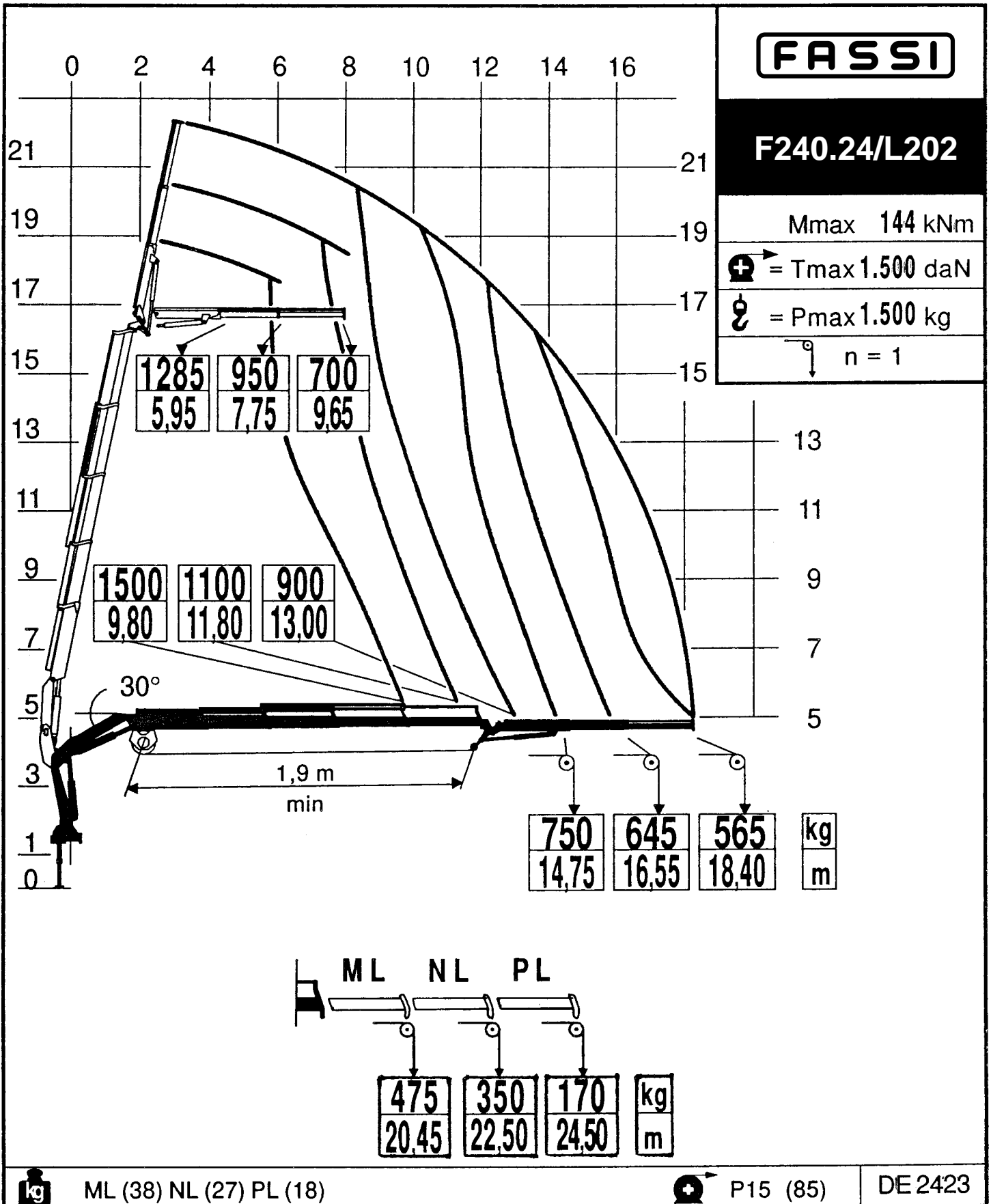
Via dei Carmelitani, 2
24021 Albino BG
tel. ++39 35 776400
fax ++39 35 755020
www.fassigroup.com
fassi@fassigroup.com

LOAD DIAGRAM IDRAULIC EXTENSIONS WITH WINCH AND
LIFTING MOMENT LIMITING DEVICE



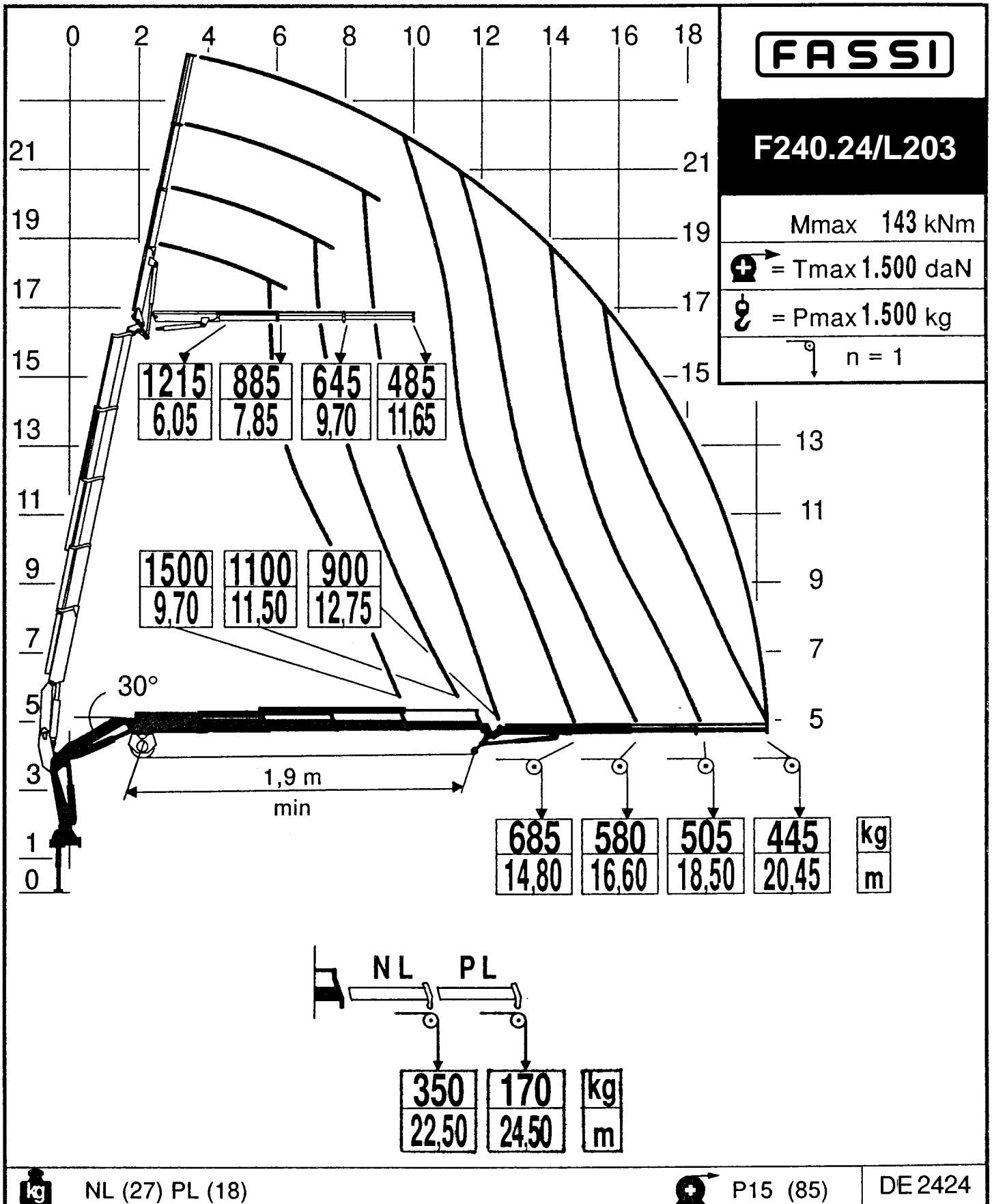
Via dei Carmelitani, 2
24021 Albino BG
tel. ++39 35 776400
fax ++39 35 755020
www.fassigroup.com
fassi@fassigroup.com

LOAD DIAGRAM IDRAULIC EXTENSIONS WITH WINCH AND
LIFTING MOMENT LIMITING DEVICE



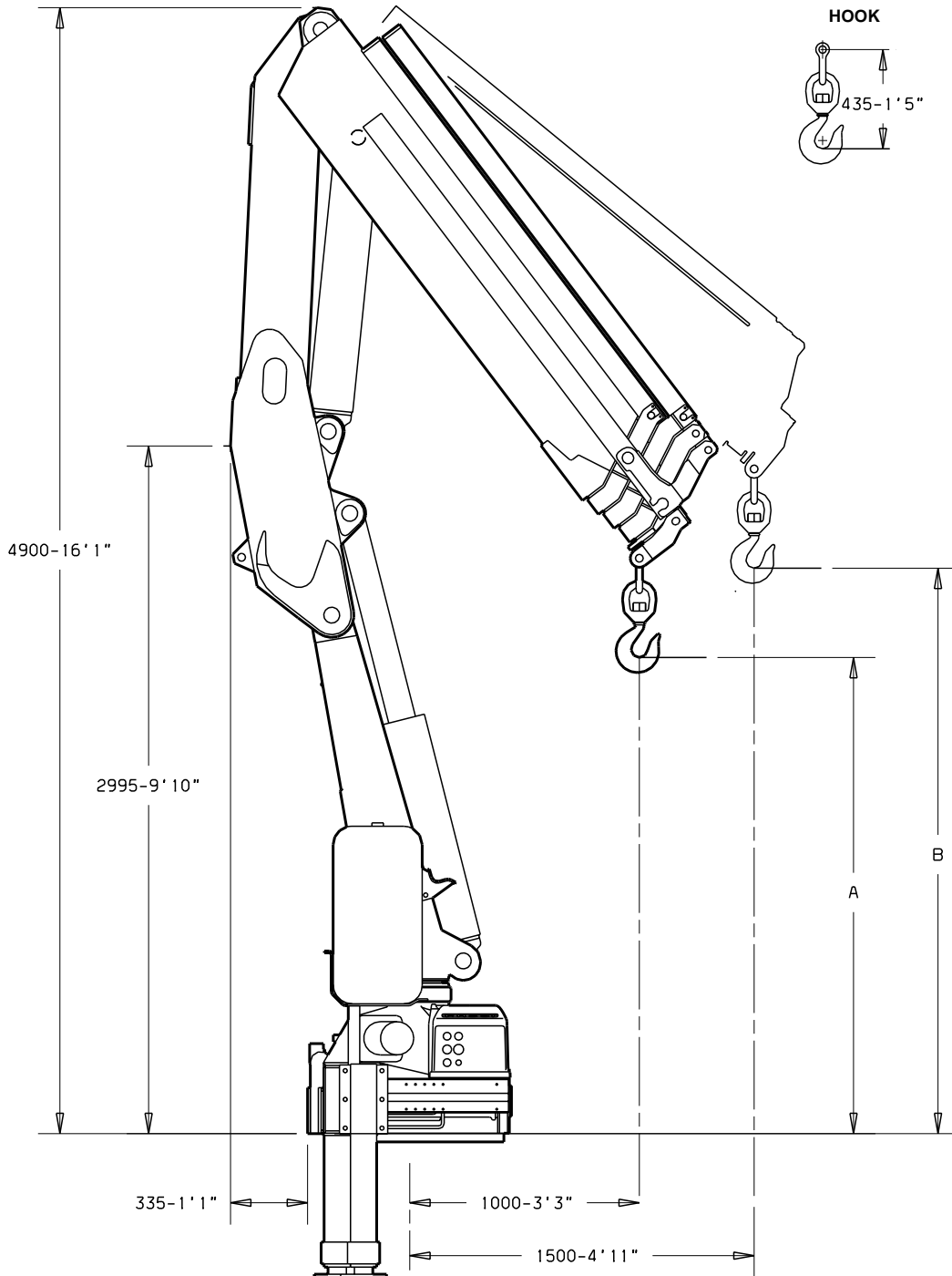
Via dei Carmelitani, 2
24021 Albino BG
tel. ++39 35 776400
fax ++39 35 755020
www.fassigroup.com
fassi@fassigroup.com

LOAD DIAGRAM IDRAULIC EXTENSIONS WITH WINCH AND
LIFTING MOMENT LIMITING DEVICE



Via dei Carmelitani, 2
24021 Albino BG
tel. ++39 35 776400
fax ++39 35 755020
www.fassigroup.com
fassi@fassigroup.com

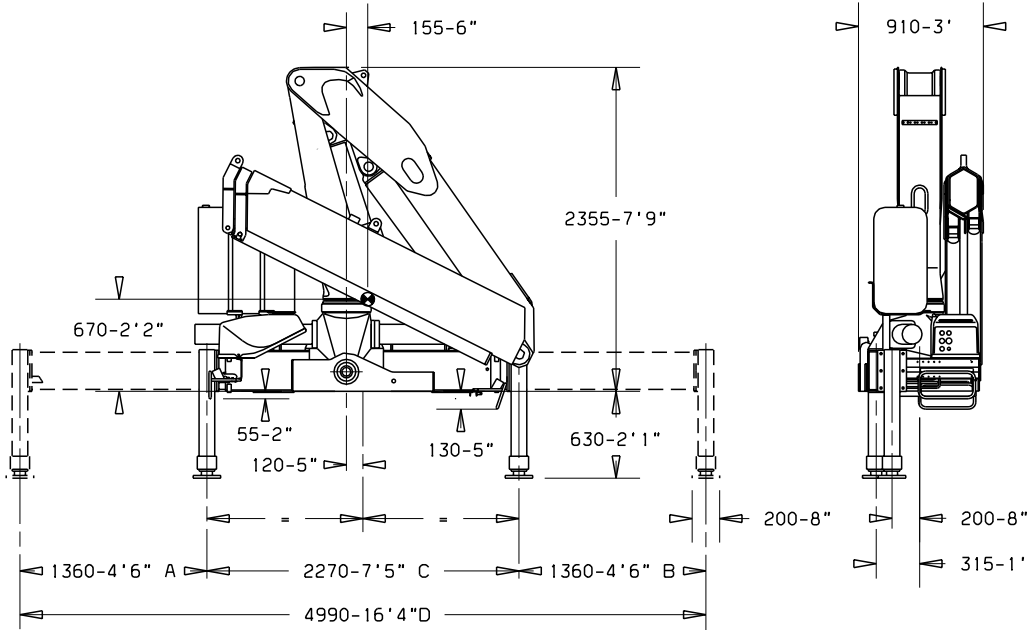
MAXIMUM HEIGHT UNDER HOOK



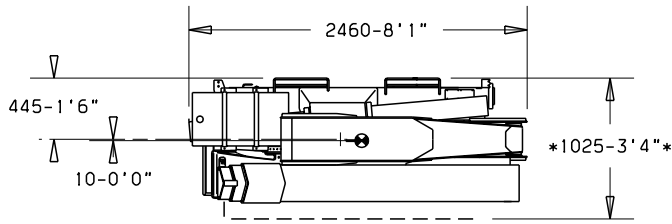
	A		B	
F240.22	2205	7'3"	2755	9'0"
F240.23	2145	7'0"	2625	8'7"
F240.24	2085	6'10"	2500	8'2"
F240.25	2070	6'9"	2460	8'1"

Via dei Carmelitani, 2
24021 Albino BG
tel. ++39 35 776400
fax ++39 35 755020
www.fassigroup.com
fassi@fassigroup.com

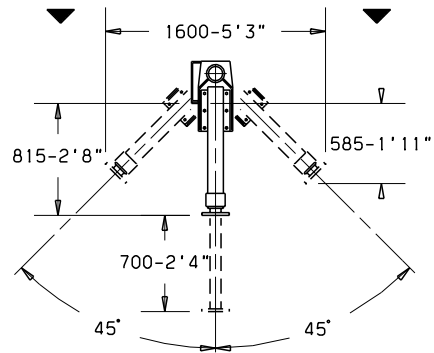
WEIGHT, DIMENSIONS AND BARYCENTRE POSITION



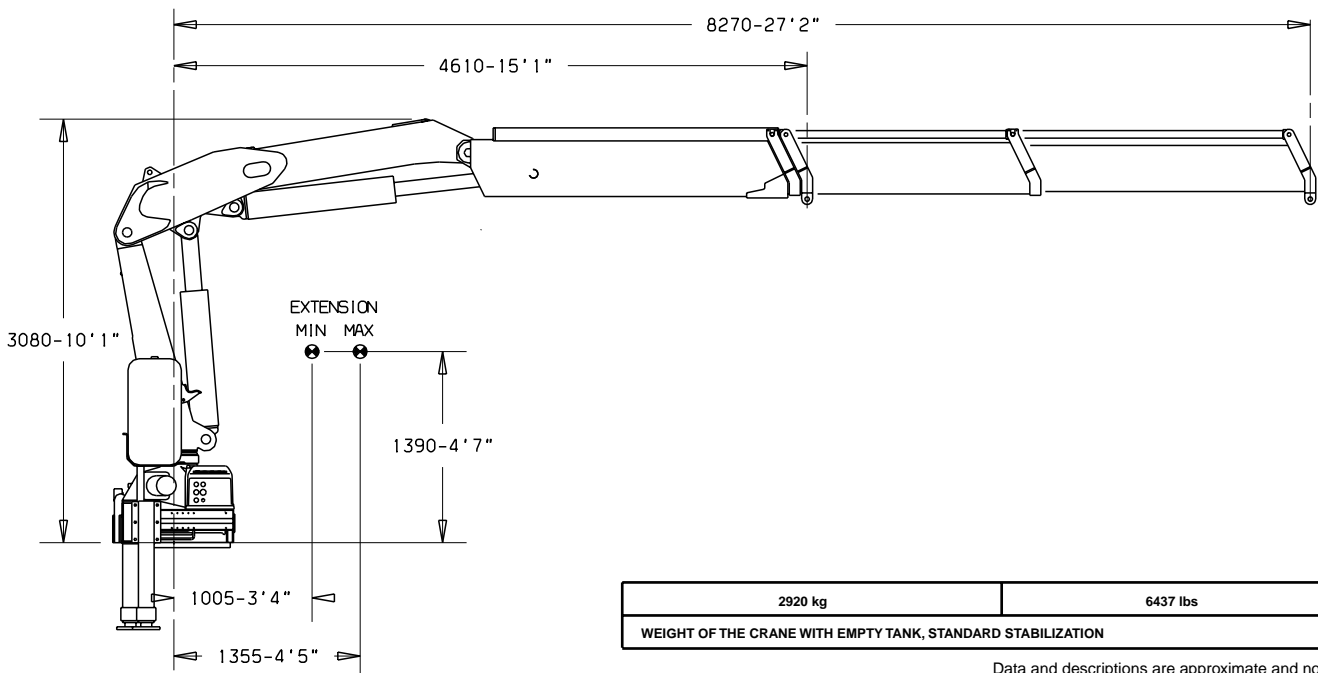
EXTRA		
A	1850	6'1"
B	1850	6'1"
C	2270	7'5"
D	5960	19'7"



TILT TABLE OUTRIGGERS OPTION



WITH SUPPLEMENTARY HOSES

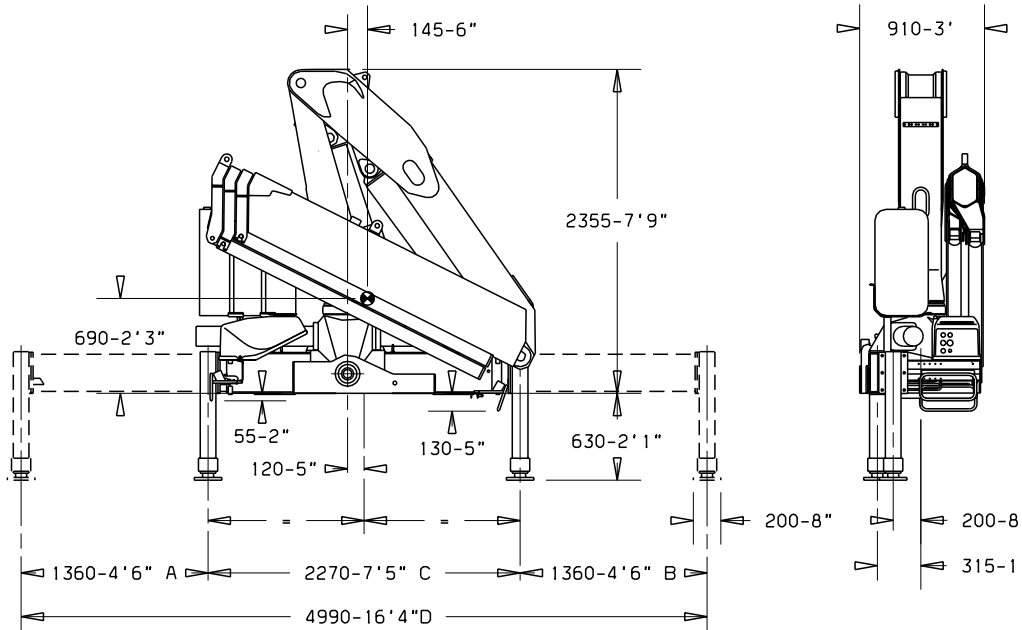


2920 kg	6437 lbs
WEIGHT OF THE CRANE WITH EMPTY TANK, STANDARD STABILIZATION	

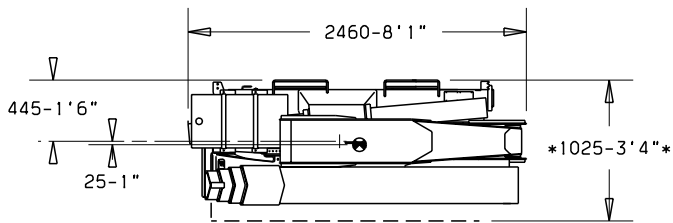
Data and descriptions are approximate and not binding

Via dei Carmelitani, 2
24021 Albino BG
tel. ++39 35 776400
fax ++39 35 755020
www.fassigroup.com
fassi@fassigroup.com

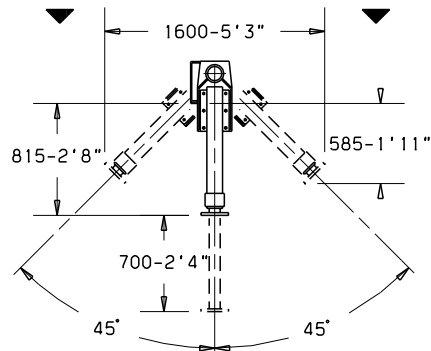
WEIGHT, DIMENSIONS AND BARYCENTRE POSITION



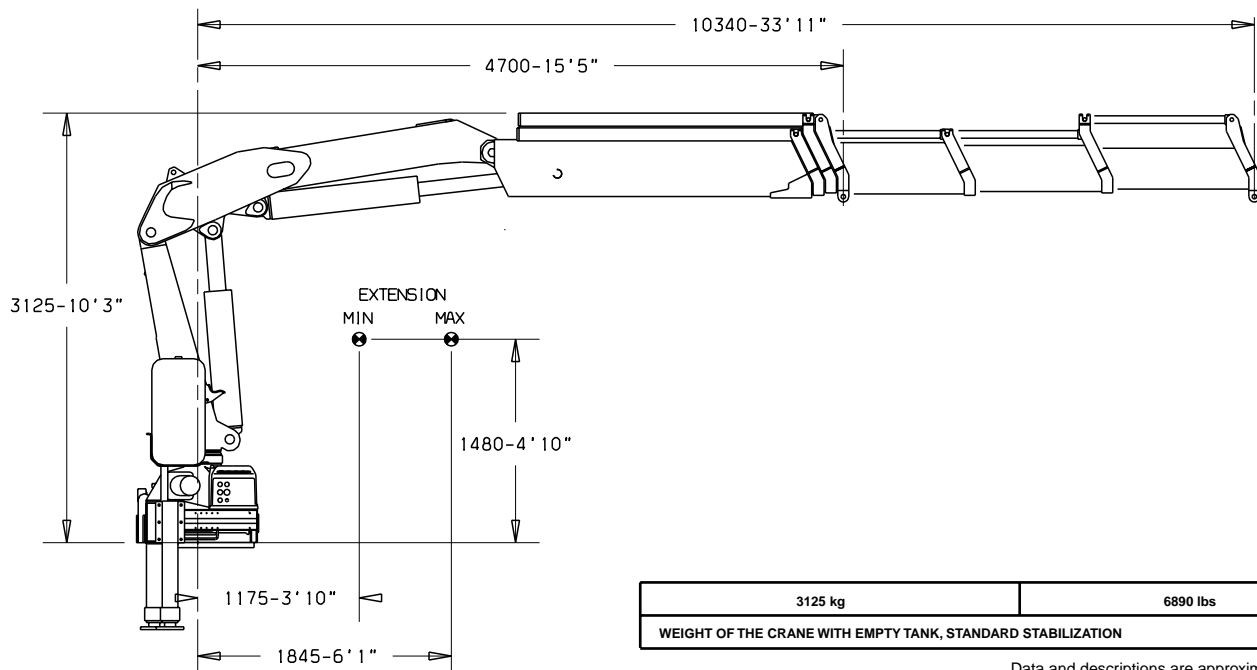
EXTRA		
A	1850	6'1"
B	1850	6'1"
C	2270	7'5"
D	5960	19'7"



TIL TABLE OUTRIGGERS OPTION



WITH SUPPLEMENTARY HOSES



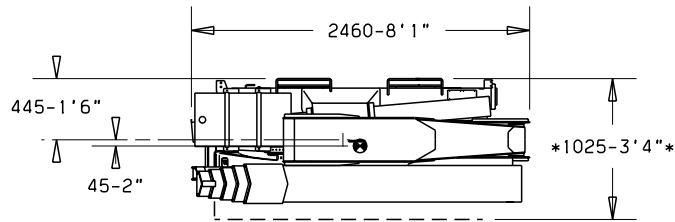
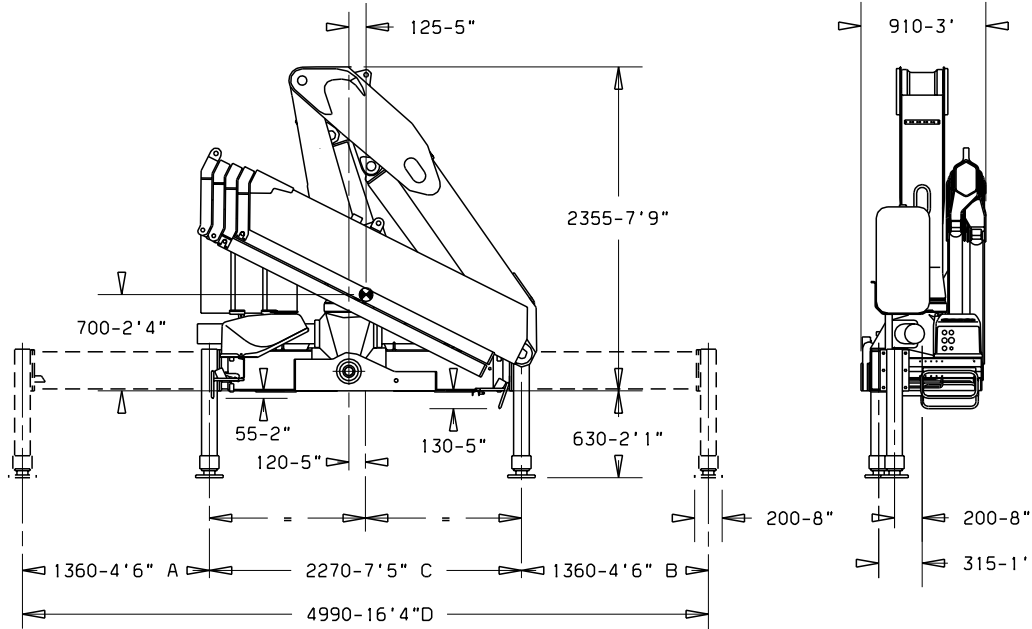
3125 kg	6890 lbs
WEIGHT OF THE CRANE WITH EMPTY TANK, STANDARD STABILIZATION	

Data and descriptions are approximate and not binding

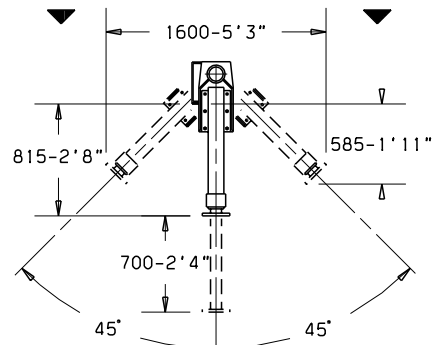
Via dei Carmelitani, 2
24021 Albino BG
tel. ++39 35 776400
fax ++39 35 755020
www.fassigroup.com
fassi@fassigroup.com

WEIGHT, DIMENSIONS AND BARYCENTRE POSITION

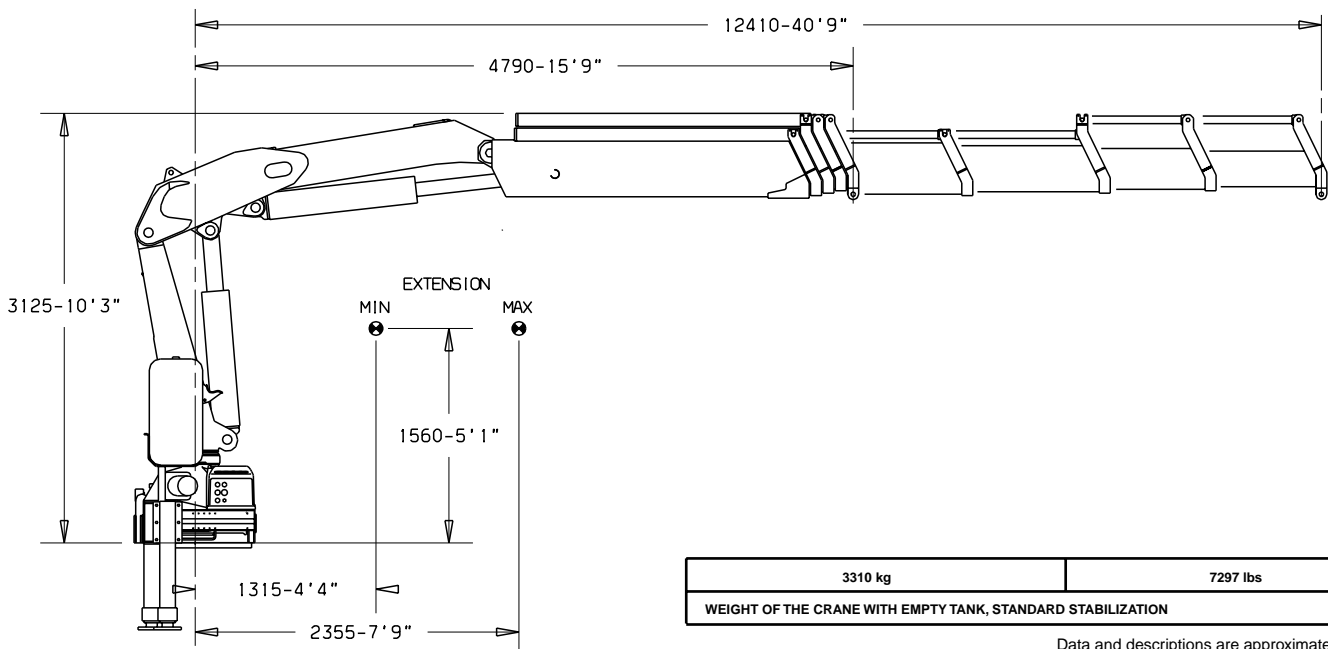
EXTRA		
A	1850	6'1"
B	1850	6'1"
C	2270	7'5"
D	5960	19'7"



TIL TABLE OUTRIGGERS OPTION



WITH SUPPLEMENTARY HOSES

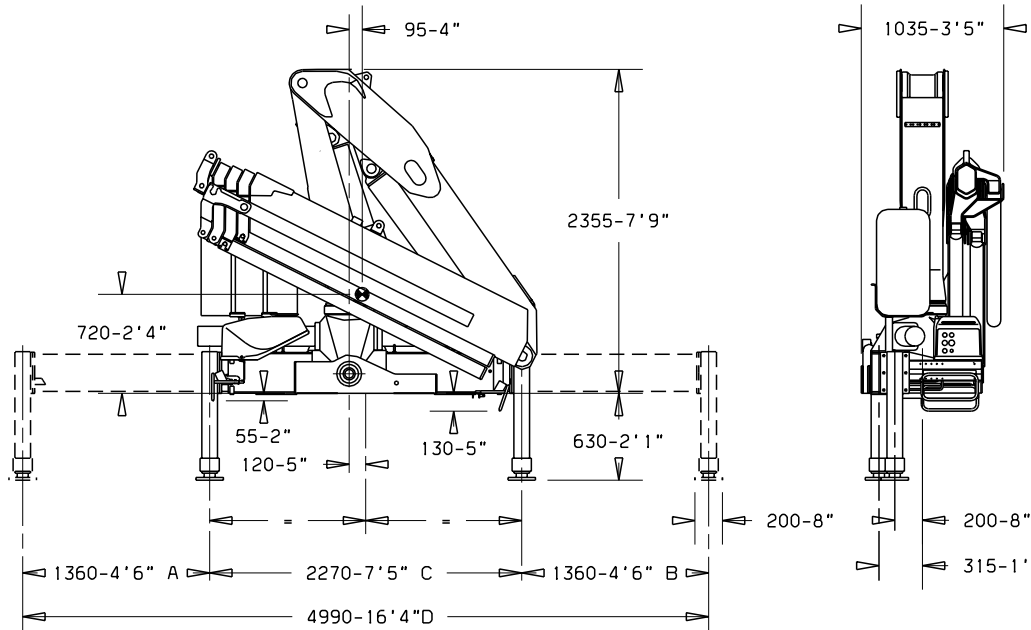


3310 kg	7297 lbs
WEIGHT OF THE CRANE WITH EMPTY TANK, STANDARD STABILIZATION	

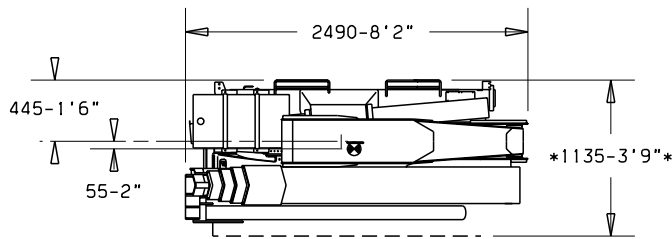
Data and descriptions are approximate and not binding

Via dei Carmelitani, 2
24021 Albino BG
tel. ++39 35 776400
fax ++39 35 755020
www.fassigroup.com
fassi@fassigroup.com

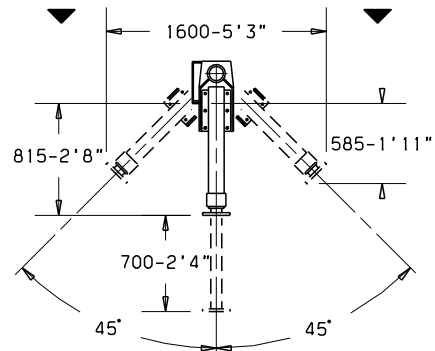
WEIGHT, DIMENSIONS AND BARYCENTRE POSITION



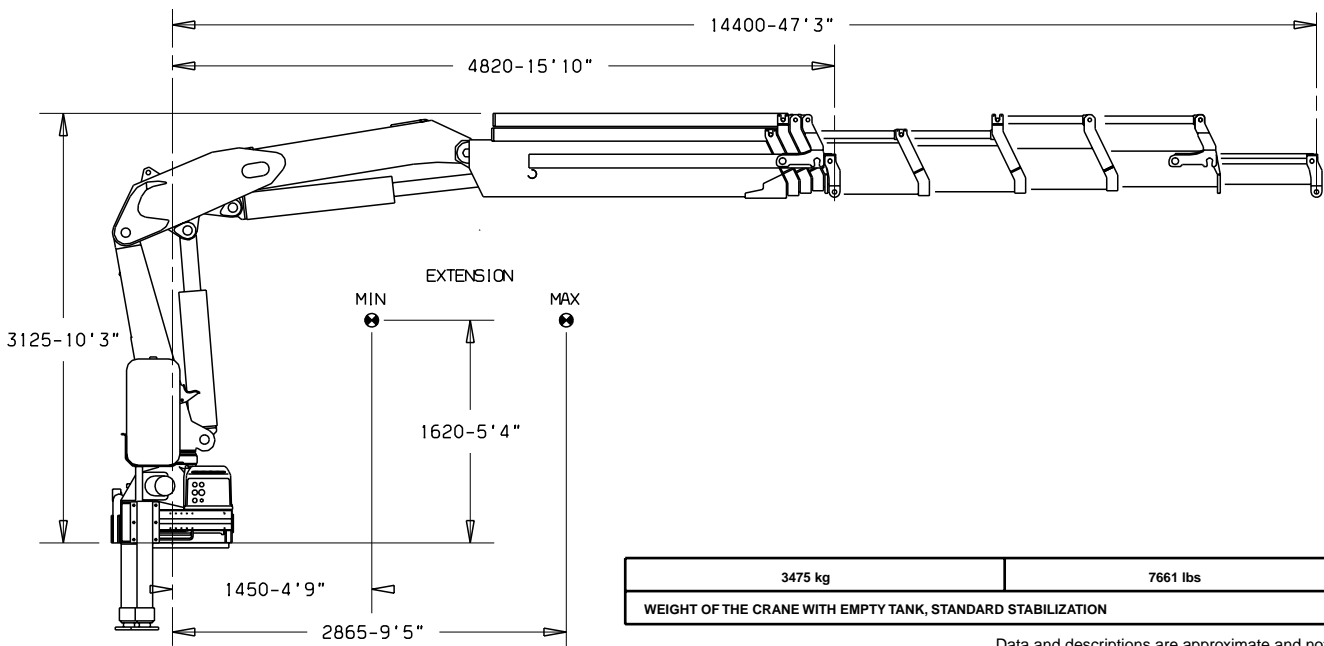
EXTRA		
A	1850	6'1"
B	1850	6'1"
C	2270	7'5"
D	5960	19'7"



TIL TABLE OUTRIGGERS OPTION



WITH SUPPLEMENTARY HOSES

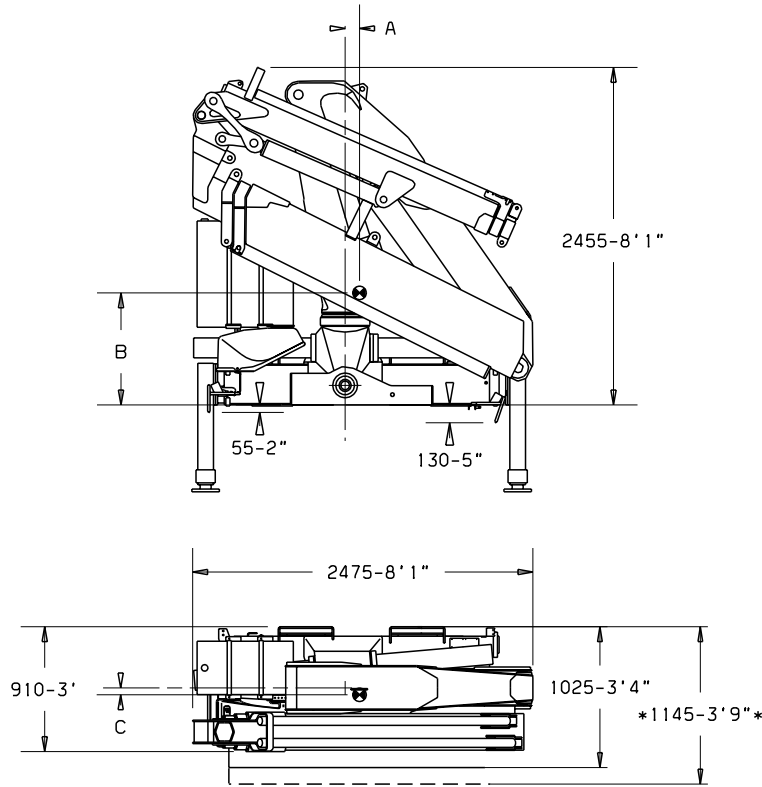


3475 kg	7661 lbs
WEIGHT OF THE CRANE WITH EMPTY TANK, STANDARD STABILIZATION	

Data and descriptions are approximate and not binding

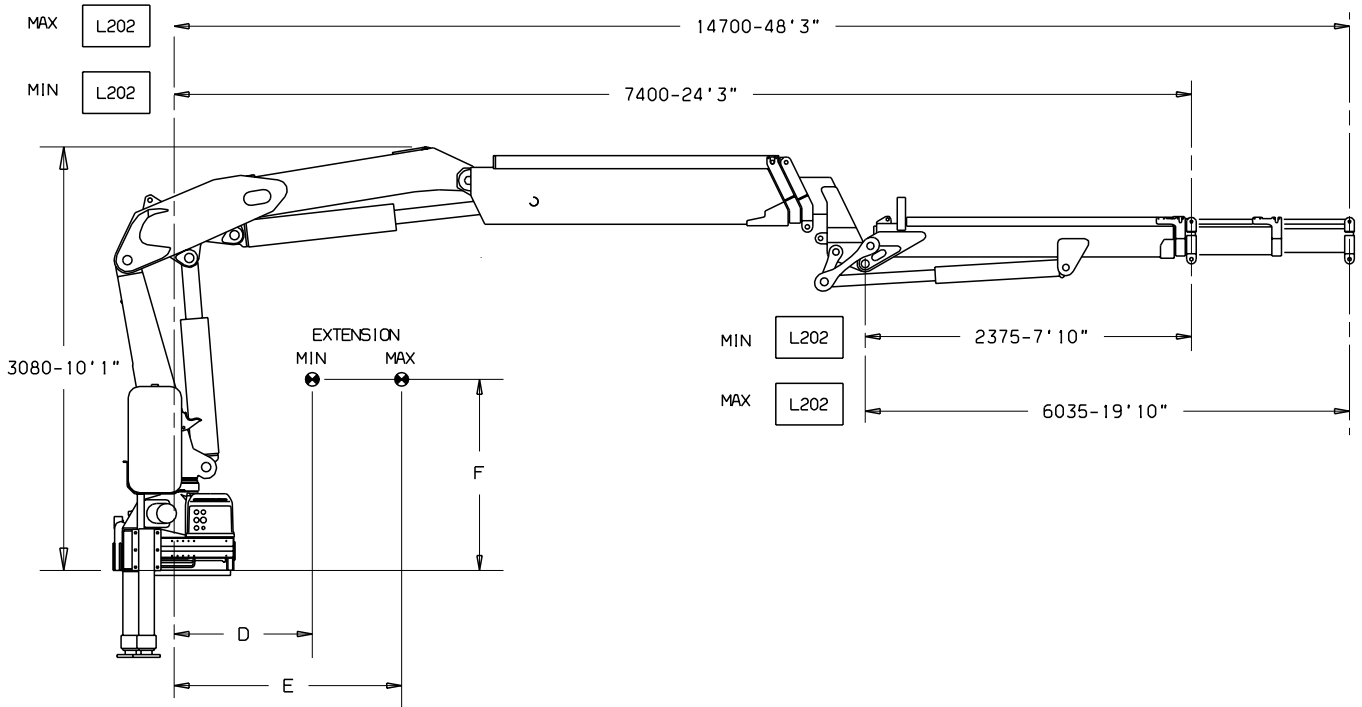
Via dei Carmelitani, 2
24021 Albino BG
tel. ++39 35 776400
fax ++39 35 755020
www.fassigroup.com
fassi@fassigroup.com

WEIGHT, DIMENSIONS AND BARYCENTRE POSITION



L202		
A	105	4"
B	815	2' 8"
C	50	2"

** WITH SUPPLEMENTARY HOSES



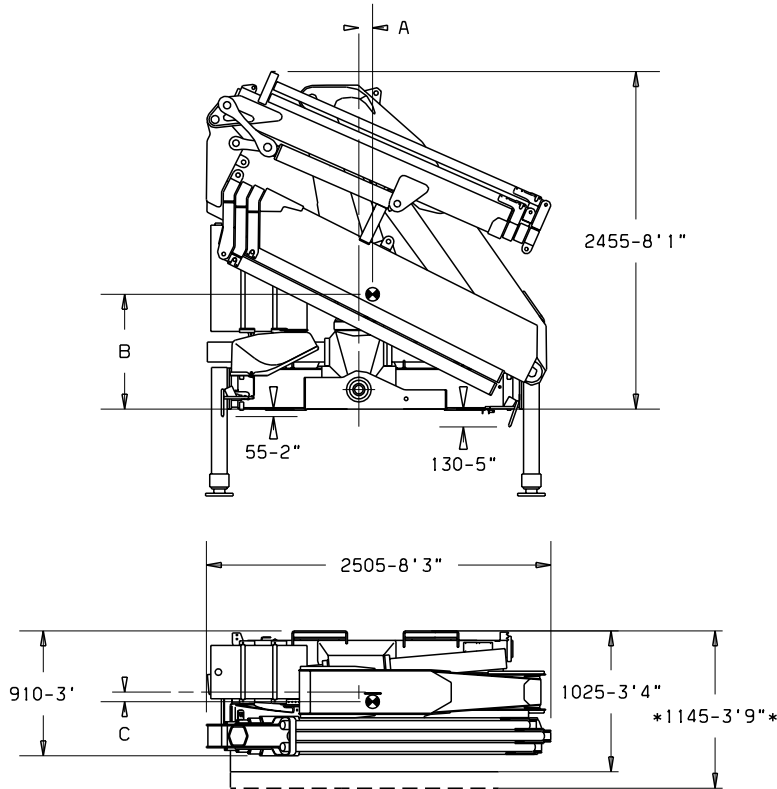
L102		
D	1730	5' 8"
E	2720	8' 11"
F	1545	5' 1"

3445 kg	7595 lbs
WEIGHT OF THE CRANE WITH EMPTY TANK, STANDARD STABILIZATION	

Data and descriptions are approximate and not binding

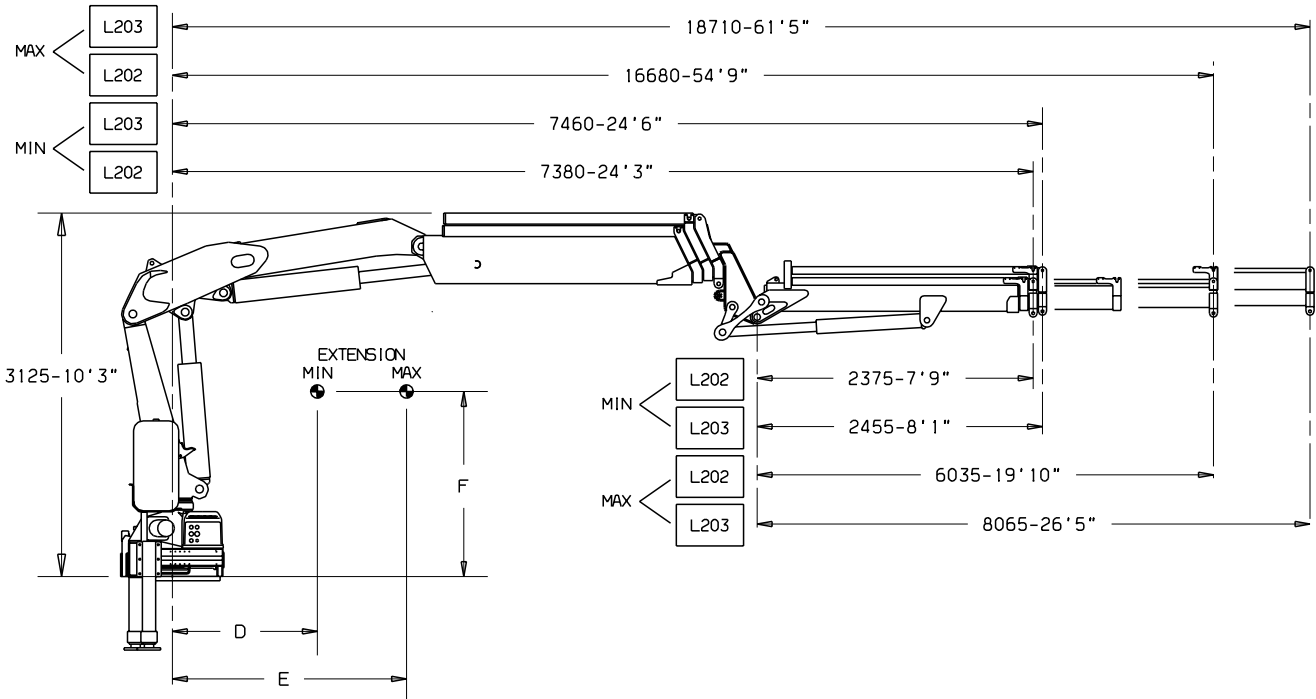
Via dei Carmelitani, 2
24021 Albino BG
tel. ++39 35 776400
fax ++39 35 755020
www.fassigroup.com
fassi@fassigroup.com

WEIGHT, DIMENSIONS AND BARYCENTRE POSITION



	L202		L203	
A	95	4"	100	4"
B	820	2'8"	835	2'9"
C	70	3"	70	3"

** WITH SUPPLEMENTARY HOSES



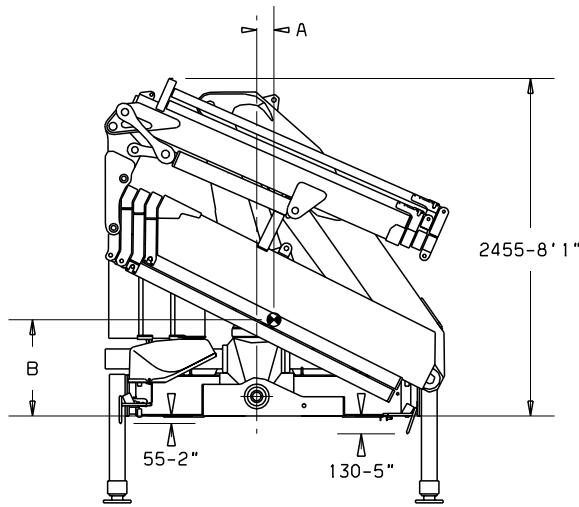
	L202		L203	
D	1840	6'	1920	6'4"
E	3360	11'	3605	11'10"
F	1620	5'4"	1635	5'4"

L202/F240.23		L203/F240.23	
3660 kg	8069 lbs	3725 kg	8212 lbs
WEIGHT OF THE CRANE WITH EMPTY TANK, STANDARD STABILIZATION			

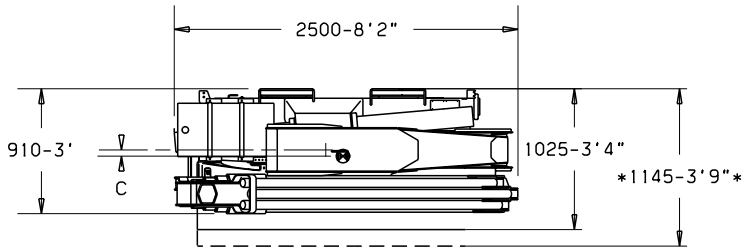
Data and descriptions are approximate and not binding

Via dei Carmelitani, 2
24021 Albino BG
tel. ++39 35 776400
fax ++39 35 755020
www.fassigroup.com
fassi@fassigroup.com

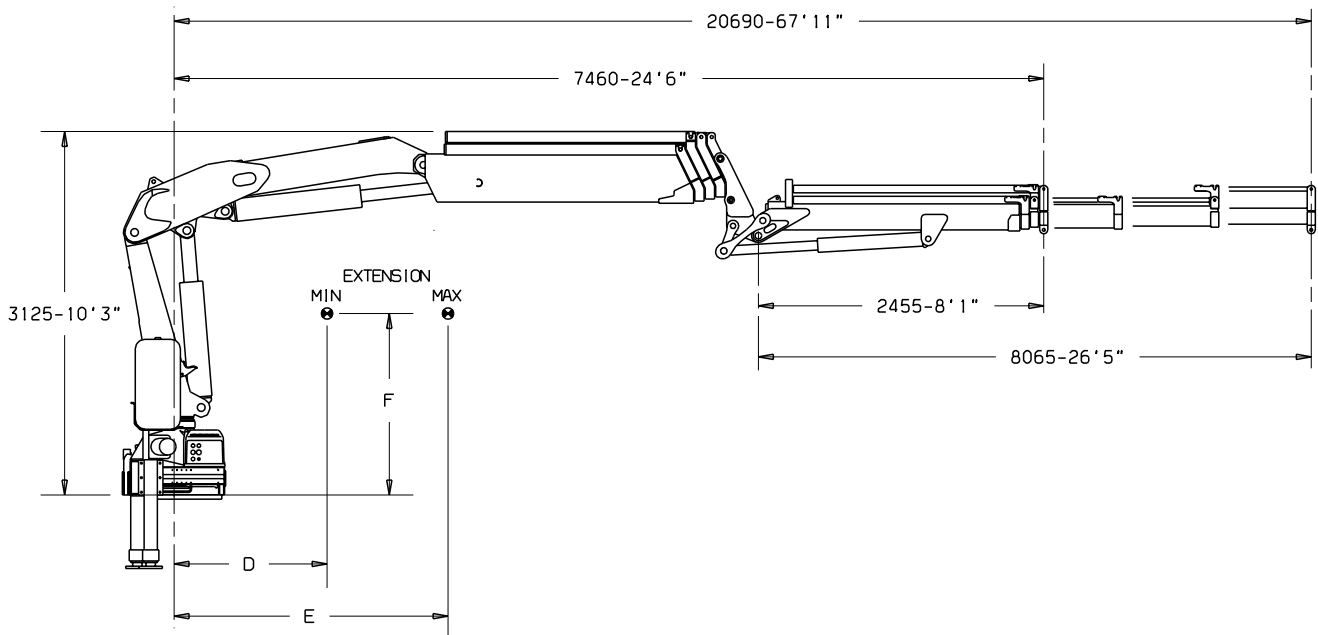
WEIGHT, DIMENSIONS AND BARYCENTRE POSITION



L203		
A	85	3"
B	840	2'9"
C	80	3"



** WITH SUPPLEMENTARY HOSES



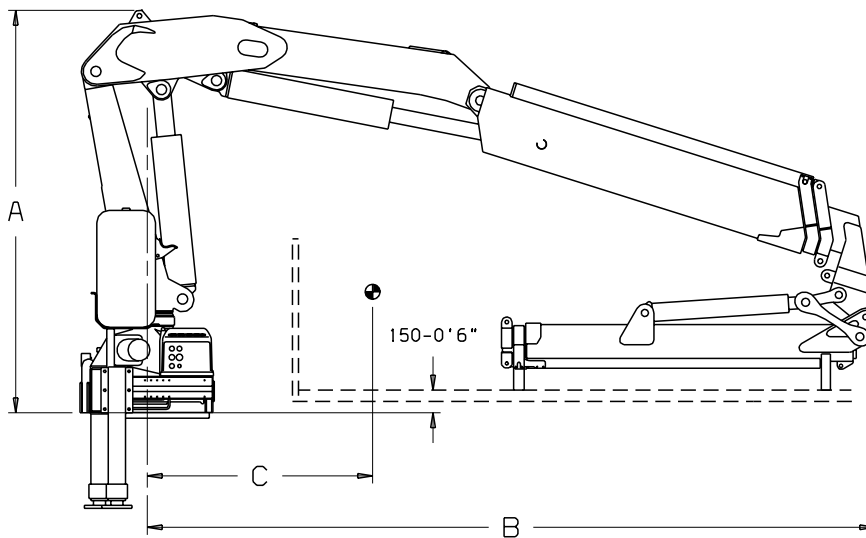
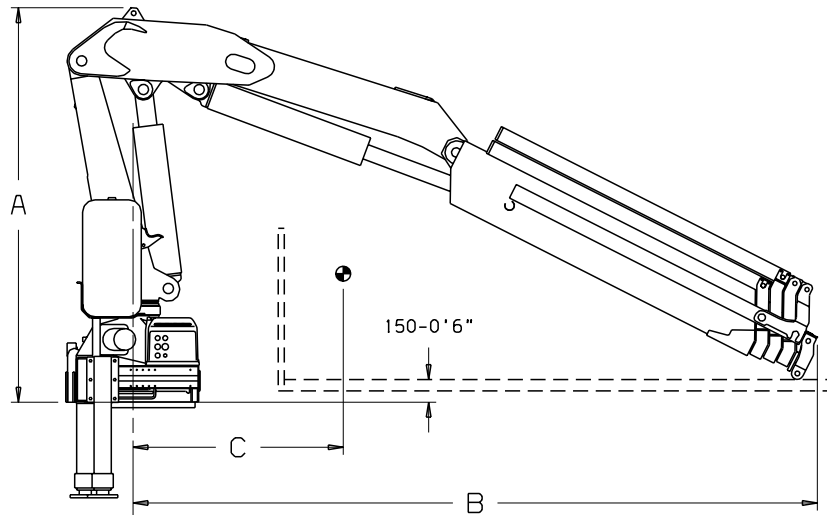
L202		
D	2010	6'7"
E	4225	13'10"
F	1685	5'6"

3750 kg	8265 lbs
WEIGHT OF THE CRANE WITH EMPTY TANK, STANDARD STABILIZATION	

Data and descriptions are approximate and not binding

OVERALL DIMENSIONS OF THE CRANE ON BODY

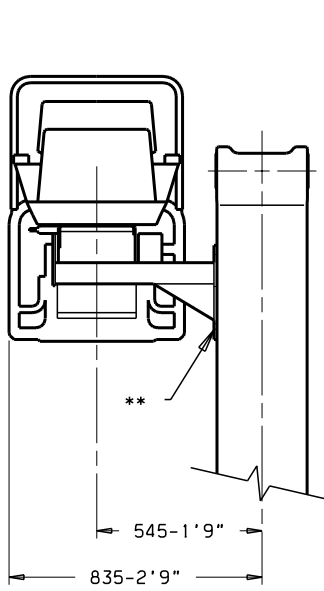
	A		B		C	
F240A.22	2605	8'7"	4335	14'3"	965	3'2"
F240A.23	2610	8'7"	4410	14'6"	1130	3'8"
F240A.24	2610	8'7"	4995	14'9"	1265	4'2"
F240A.25	2610	8'7"	4525	14'10"	1390	4'7"



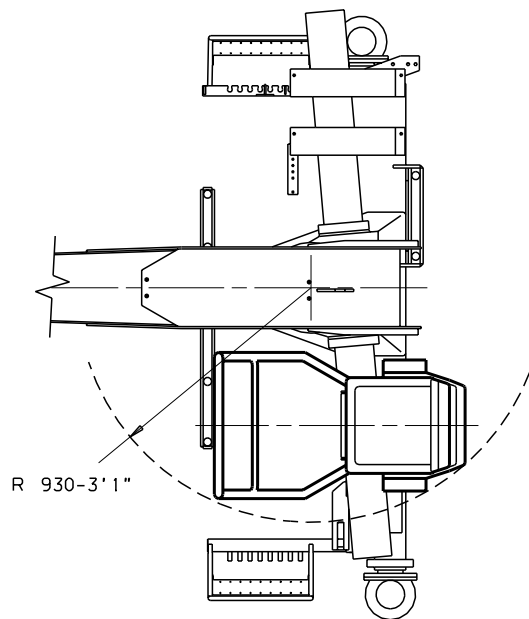
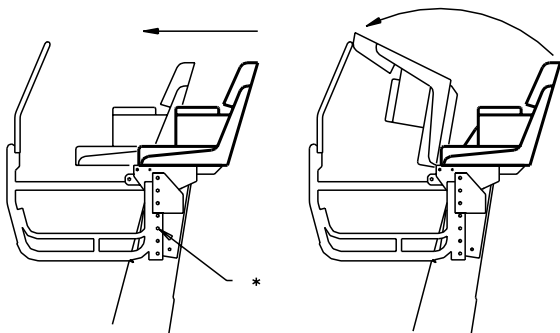
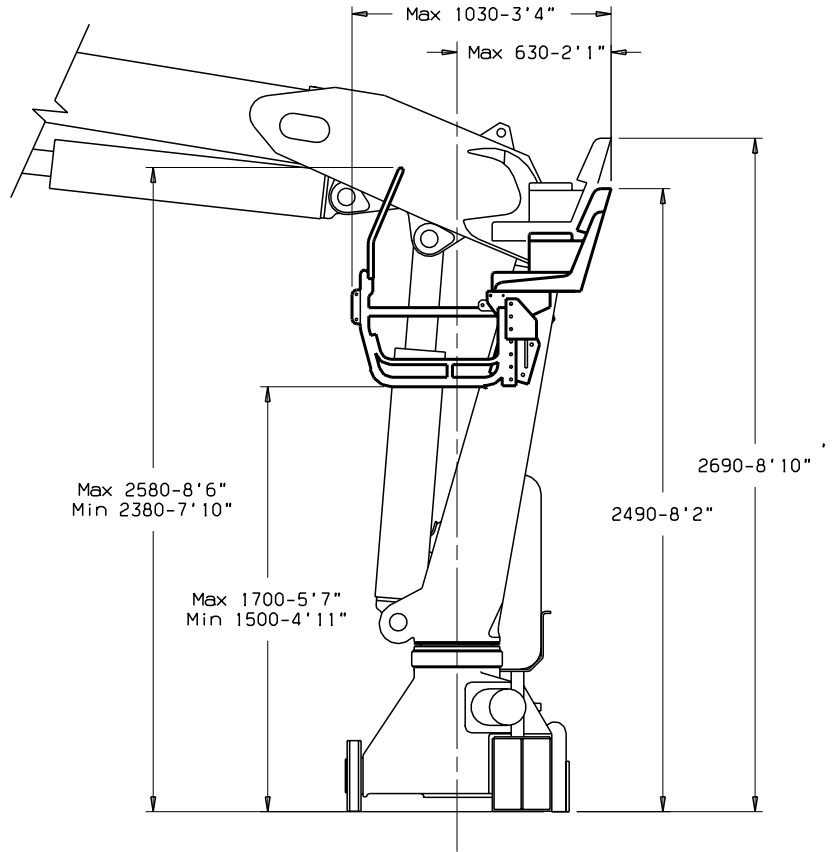
	A		B		C	
F240A.22-L202	2660	8'9"	4810	15'9"	1435	4'8"
F240A.23-L202	2660	8'9"	4810	15'9"	1565	5'2"
F240A.23-L203	2660	8'9"	4810	15'9"	1595	5'3"
F240A.24-L203	2660	8'9"	4810	15'9"	1690	5'7"

Via dei Carmelitani, 2
24021 Albino BG
tel. ++39 35 776400
fax ++39 35 755020
www.fassigroup.com
fassi@fassigroup.com

POSITION AND DIMENSIONS OF TOP SEAT ON COLUMN



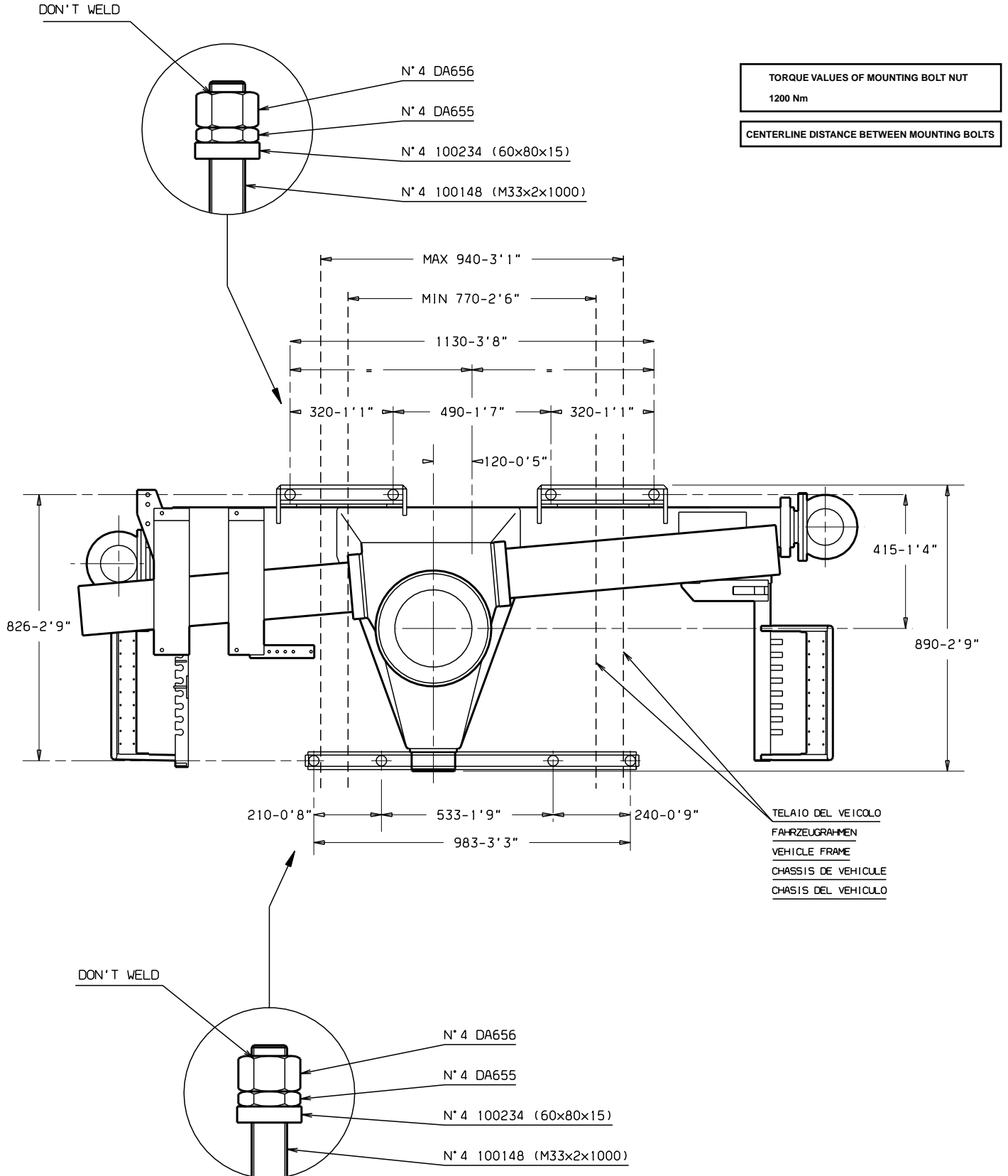
** N_4 BOLTS M14-8.G



* N_4 BOLTS M12-8.G

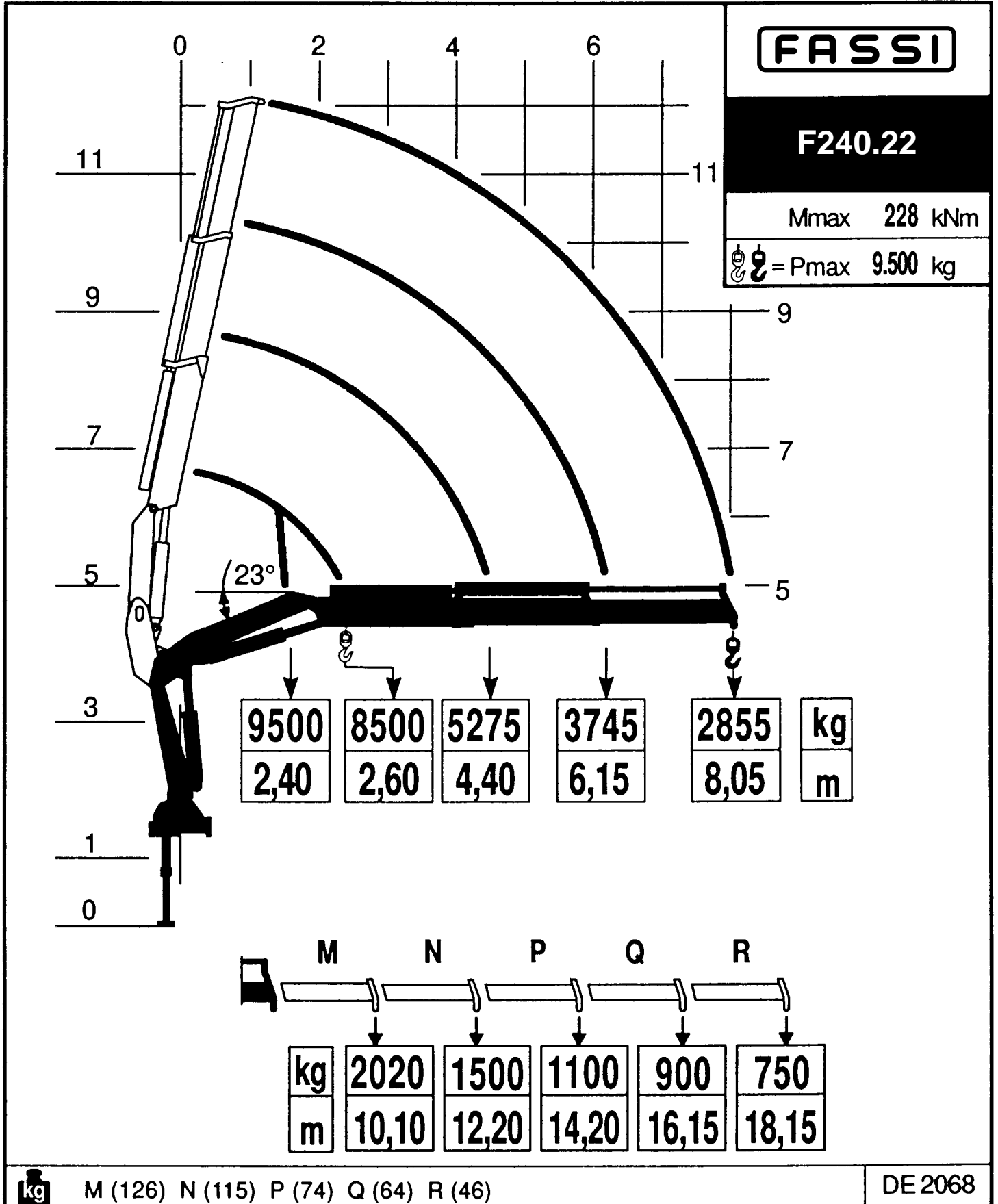
Via dei Carmelitani, 2
24021 Albino BG
tel. ++39 35 776400
fax ++39 35 755020
www.fassigroup.com
fassi@fassigroup.com

LOCATION OF MOUNTING BOLTS



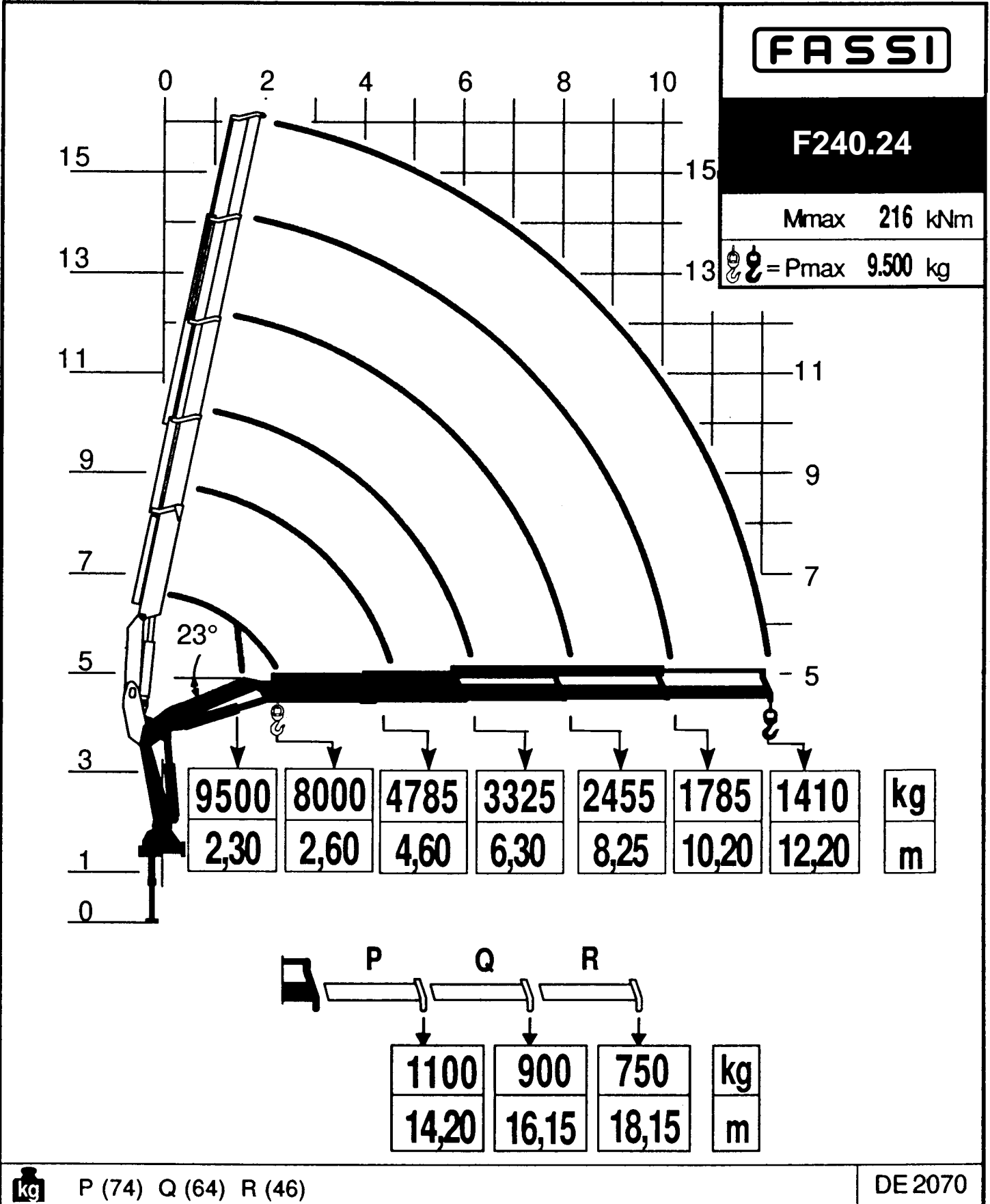
Via dei Carmelitani, 2
24021 Albino BG
tel. ++39 35 776400
fax ++39 35 755020
www.fassigroup.com
fassi@fassigroup.com

LOAD DIAGRAM WITHOUT LIFTING MOMENT LIMITING DEVICE



Via dei Carmelitani, 2
24021 Albino BG
tel. ++39 35 776400
fax ++39 35 755020
www.fassigroup.com
fassi@fassigroup.com

LOAD DIAGRAM WITHOUT LIFTING MOMENT LIMITING DEVICE



Via dei Carmelitani, 2
24021 Albino BG
tel. ++39 35 776400
fax ++39 35 755020
www.fassigroup.com
fassi@fassigroup.com

LOAD DIAGRAM WITHOUT LIFTING MOMENT LIMITING DEVICE

